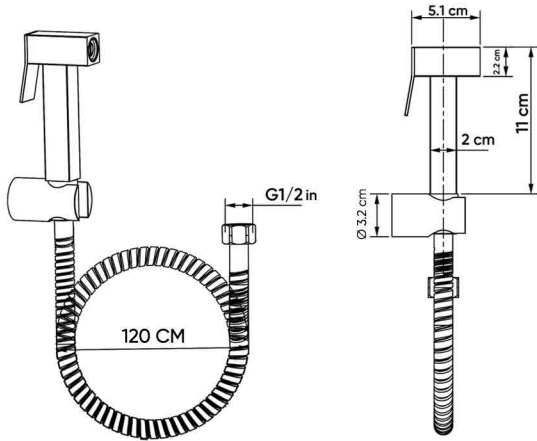


## HATCH ACCESSORIES

**Product Name: SHATTAF SET**  
**Model Number: HAT-WG009**



### AVAILABLE COLORS

GLOSSY CHROME  
SW-60196683

MATTE BLACK  
SW-60196684

BRUSHED NICKEL  
SW-60196685

GLOSSY GOLD  
SW-60196686

BRUSHED GOLD  
SW-60196687

BLACK TITANIUM  
SW-60196688

### MATERIALS

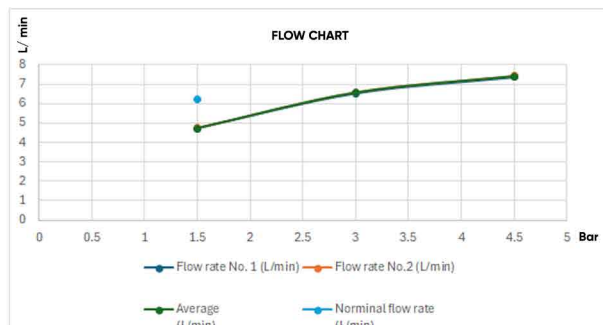
Material: Stainless steel (SUS 304), Shattaf Head and Bracket  
 Hose Material: Stainless steel (SUS 304), with Inner Tube Nylon Braided & EPDM inner layer

### DIMENSIONS

5.1 x 11 x 120 CM

### TECHNICAL SPECIFICATION

Average Flow rate: 6.22 L/min  
 Maximum operating pressure: 15 bar  
 Water consumption: Class A  
 Spray mode: Jet mode  
 Installation type: Exposed  
 Hose length: 120 cm  
 Hose connection size: G ½ in  
 Stay On function: Yes  
 On and Off function: Yes  
 Flow regulator: Yes  
 Aerator removable: Yes (with tool)



### APPLICATIONS

Bathroom

### BOX COMPONENTS

- Shattaf Head
- Holder
- Teflon
- Rubber Gasket filter
- Fischer wall plug set
- (SUS 304) hose
- (SUS 304) screws
- Flow regulator

### COUNTRY OF ORIGIN

Made in China for HATCH Sanitary

### WARRANTY

2 years



### HATCH SANITARY

Hatch Sanitary is a trademark owned by MHG

Old Al Kharj Road, Building No. 3533  
 Riyadh 14511 - 8305  
 Kingdom of Saudi Arabia

© info.mhg@marketing-home.com

☎ 800 122 2230