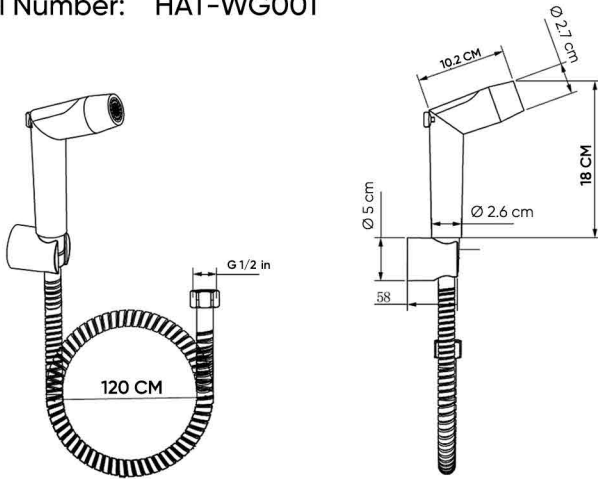


## HATCH ACCESSORIES

**Product Name: SHATTAF SET**  
**Model Number: HAT-WG001**



### AVAILABLE COLORS



GLOSSY CHROME  
SW01330228



MATTE BLACK  
SW01330229

### APPLICATIONS

Bathroom

### MATERIALS

Material: Plastic Shattaf Head and Bracket  
 Hose Material: Stainless steel (SUS 304), with Inner Tube Nylon Braided & EPDM inner layer

### DIMENSIONS

10.2 x 18 x 120 CM

### TECHNICAL SPECIFICATION

Average Flow rate: 6.22 L/min  
 Maximum operating pressure: 15 bar  
 Water consumption: Class A  
 Spray mode: Soft and Jet mode (Adjustable)  
 Installation type: Exposed  
 Hose length: 120 cm  
 Hose connection size: G 1/2 in  
 On and Off function: Yes  
 Flow Regulator: Yes  
 Water filter head removable: Yes (Easy to clean)

### BOX COMPONENTS

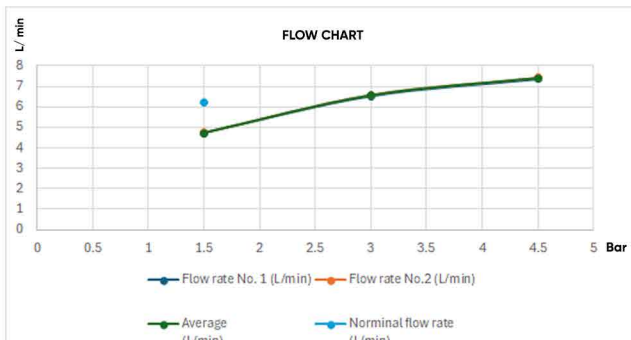
- Shattaf Head
- Holder
- Teflon
- Rubber Gasket filter
- Fischer wall plug set
- (SUS 304) hose
- (SUS 304) screws
- Flow regulator

### COUNTRY OF ORIGIN

Made in China for HATCH Sanitary

### WARRANTY

2 years



### HATCH SANITARY

Hatch Sanitary is a trademark owned by MHG

Old Al Kharij Road, Building No. 3533  
 Riyadh 14511 - 8305  
 Kingdom of Saudi Arabia

info.mhg@marketing-home.com

800 122 2230