

HATCH SMART TANKLESS TOILET

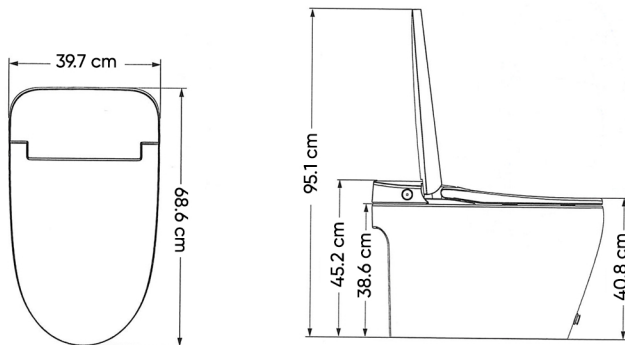
Product Name: PILEA TANKLESS FLOOR-STANDING TOILET
SMART FLUSHING SENSOR
Model Number: HAT-5202



FOR CERAMIC MAIN BODY



FOR ELECTRICAL PARTS & SEAT COVER



DESCRIPTION

Tankless Floor-Standing Toilet with Seat Cover
 Smart Flushing Sensor
 Collection: Pilea
 Shape: Oval

AVAILABLE COLOR:



TECHNICAL SPECIFICATION

Installation Type: Floor-Standing / S-Trap.
 Drain Outlet: 30 cm.
 Flush Function: Dual Flush.
 Flush Mode: Siphonic Jet.
 Operation: Tankless Battery - Operated Toilet.

Manual Side Button To Turn on the flushing function (Full Flush).

Manual Kick Button Flushing for Half Flush.

Flush Sensor - Automatic After Use.

(1) Sensor Half Flush

When the seat is detected to be more than 6 seconds and less than 1 minute and leave the seat for more than 3 seconds, its half flush.

(2) Sensor Full Flush

When the seat is detected to be more than 1 minute, and leave the seat ring for more than 3 seconds, it will full flush.

Battery Box: Required 4 alkaline Battery (AA).

Rated Voltage: 6V.

Rated Power: 2.1W (Solenoid Valve Power).

Flush Capability: Full Flush Volume (AVG.) 3.93 L, Half Flush Volume (AVG.) 2.83 L.

Water Consumption: 3.01 L.

Work Water Pressure: Min 0.18 Mpa - Max 0.8 Mpa (Static).

Material: Vitreous China Glazed Finish, Anti-Bacterial.

Seat & Cover Quite Soft Close, (PP).

Waterproof: IPX4.

Net Weight (K.G): 36 K.G.

DIMENSION

68.6 x 39.7 x 45.2 CM

APPLICATIONS

Bathroom

BOX COMPONENTS

- Toilet Main Body-Ceramic
- PP Seat & Cover
- Brass Angle Valve with Filter 1/2 x 1/2 in
- SUS 304 Hose Connection 1/2 F : 3/4 F - 60 cm
- Super Viscous Wax Ring and 100% No Mildew
- Installation Cardboard
- Installation Manual

WARRANTY

- 10 Years For Ceramic Main Body
- 3 Years For Electrical Parts
- 3 Years For Seat Cover

COUNTRY OF ORIGIN

Made in China for HATCH Sanitary



hatch-products.com

HATCH SANITARY

Hatch Sanitary is a trademark owned by MHG

Old Al Kharj Road, Building No. 3533
 Riyadh 14511 - 8305
 Kingdom of Saudi Arabia

info.mhg@marketing-home.com

800 122 2230