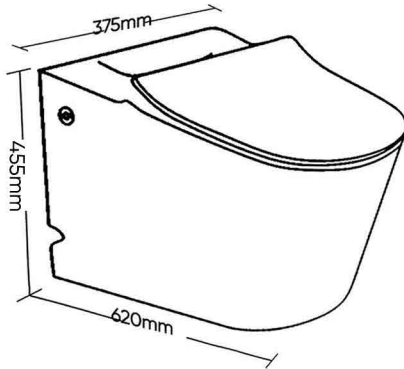


HATCH TANKLESS TOILET

Product Name: AFRA TANKLESS FLOOR-STANDING TOILET SEAT
Model Number: HAT-TL07



AVAILABLE COLORS:



DRAINAGE SIZE:

25 CM: **SW01530573**
 30 CM: **SW01530574**

DISCRIPTION

Tankless Floor-Standing Toilet with Seat Cover
 Collection: Afra
 Shape: Oval

TECHNICAL SPECIFICATION

Material: Main Body - Vitreous China.
Seat Cover: UF (Soft Close)
Accessories: Plastic and Stainless Steel (SUS 304)
Drainage Type: S-Trap.
Water Pressure: minimum 1.5 Bar.
Water Consumption: 3.48 L / M.
Flushing Mechanism: Siphon Jet Flushing-Solenoid Valve
 (Atmospheric negative pressure siphonic)
Flushing Button Type: Hand Touch Flush and Foot Flush
Flushing Type: Water flow technology with water pressure from the button
Battery Type: AA
Water Supply Hose size: 3/4 in
Angle Valve Inlet size: 1/2 in
Angle Valve Outlet size: 3/4 in
Packaging Unit: 1 Pc.
Net Weight: 49 K.G.
Carton Weight: 50 K.G.
Toilet Seat Weight Limits: 200 K.G.

DIMENSION

620 x 375 x 455 MM

APPLICATIONS

Bathroom

BOX COMPONENTS

- Floor-Standing Toilet Seat
- Seat Cover with Fixing Screws
- Ceramic Silicon & Teflon Tape
- 3 Hoses (SUS 304 & Brass Nut)
- Brass Valve & SUS 304 Frame
- Battery Box
- Foot Flush
- Touch Flush
- Flange Wax Ring
- Flange Wax Ring converter +/-3 cm
- All Screws Stainless Steel (SUS 304)

WARRANTY

3 Years For Toilet
 2 Years For the Accessories
 & Seat Cover

COUNTRY OF ORIGIN

Made in China for HATCH Sanitary



HATCH SANITARY

Hatch Sanitary is a trademark owned by MHG

Old Al Kharj Road, Building No. 3533
 Riyadh 14511 - 8305
 Kingdom of Saudi Arabia

📧 info.mhg@marketing-home.com

☎ 800 122 2230