

## HATCH WALL-HUNG TOILET SEAT

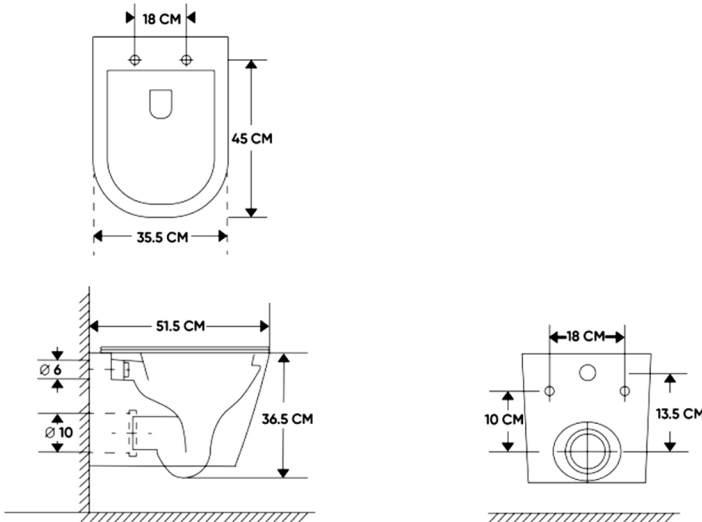
**Product Name: LANTANA WALL-HUNG TOILET SEAT**  
**Model Number: HAT-TL053**



FOR TOILET SEAT



FOR SEAT COVER



### AVAILABLE COLORS:



WHITE

SW-60196779



MATT WHITE

SW-60196780



MATTE BLACK

SW-60196781

### DESCRIPTION

Wall-Hung Toilet with Seat Cover  
 Collection: Lantana  
 Shape: Oval

### DIMENSION

515 x 365 x 355 MM

### TECHNICAL SPECIFICATION

Material: Main Body - Vitreous China.  
 Seat Cover: UF (Soft Close)  
 Accesories: Plastic and Stainless Steel (SUS 304)  
 Installation Type: Wall-Hung P-Trap.  
 Water Consumption: 3.6 L / M.  
 Packaging Unit: 1 Pc.  
 Net Weight: 24 K.G.  
 Toilet Seat Weight Limits: 200 K.G.  
 Distance between fixing screws holes: 180 mm  
 Compatibility: Compatible with Concealed Cistern

### APPLICATIONS

Bathroom

### BOX COMPONENTS

- Wall-Hung Toilet Seat
- Seat Cover with Fixing Screws
- Wall-Hung Toilet Pad
- Conceal fixing screw-iron
- Installation Manual

### WARRANTY

10 Years For the Toilet  
 5 Years For the Seat Cover

### COUNTRY OF ORIGIN

Made in China for HATCH Sanitary



hatch-products.com

### HATCH SANITARY

Hatch Sanitary is a trademark owned by MHG

Old Al Kharij Road, Building No. 3533  
 Riyadh 14511 - 8305  
 Kingdom of Saudi Arabia

📧 info.mhg@marketing-home.com

☎ 800 122 2230