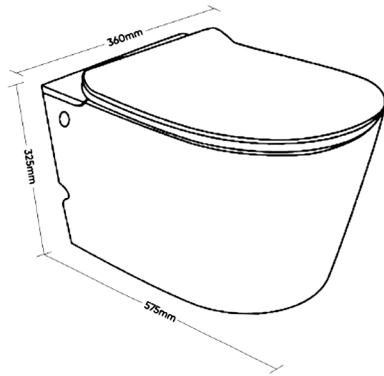


HATCH TANKLESS TOILET

Product Name: AUREA TANKLESS WALL-HUNG TOILET
Model Number: HAT-TL03



AVAILABLE COLORS:



DIMENSION

575 x 360 x 325 MM

DESCRIPTION

Tankless Wall - Hung Toilet with Seat Cover
 Collection: Aurea
 Shape: Rectangular

APPLICATIONS

Bathroom

TECHNICAL SPECIFICATION

Material: Main Body - Vitreous China.
Seat Cover: UF (Soft Close)
Accessories: Plastic and Stainless Steel (SUS 304)
Drainage Type: P-Trap.
Water Pressure: minimum 1.5 Bar.
Water Consumption: 4.15 L / M.
Flushing Mechanism: Siphon Jet Flushing-Solenoid Valve
 (Atmospheric negative pressure siphonic)
Flushing Button Type: Hand Touch Flush
Flushing Type: Water flow technology with water pressure from the button
Battery Type: AA
Water Supply Hose size: 3/4 in
Angle Valve Inlet size: 1/2 in
Angle Valve Outlet size: 3/4 in
Packaging Unit: 1 Pc.
Net Weight: 41.5 K.G.
Carton Weight: 42.6 K.G.
Toilet Seat Weight Limits: 200 K.G.
Distance between fixing screws holes: 23 cm

BOX COMPONENTS

- Wall-Hung Toilet Seat
- Seat Cover with Fixing Screws
- Wall-Hung Screws
- Ceramic Silicon & Teflon Tape
- 3 Hoses (SUS 304 & Brass Nut)
- Brass Valve & SUS 304 Frame
- Battery Box
- Extended Pipe Connector
- Elbow Pipe Connector
- Touch Flush
- Galvanized Mounting Frame with adjustable feet 0 to 20 cm
- Set of 2 Pieces wall anchors extensions
- Solenoid Valve

WARRANTY

3 Years For Toilet
 2 Years For the Accessories
 & Seat Cover

COUNTRY OF ORIGIN

Made in China for HATCH Sanitary



HATCH SANITARY

Hatch Sanitary is a trademark owned by MHG

Old Al Kharij Road, Building No. 3533
 Riyadh 14511 - 8305
 Kingdom of Saudi Arabia

📧 info.mhg@marketing-home.com

☎ 800 122 2230