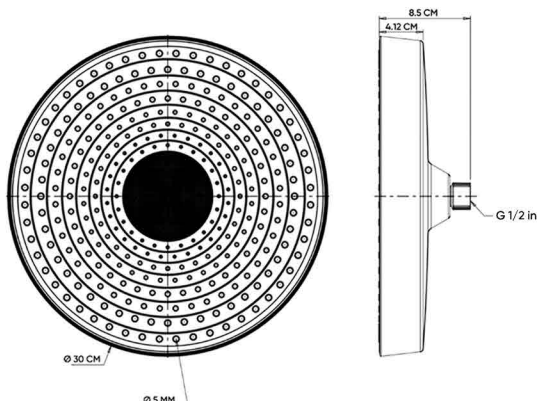


HATCH SHOWER ACCESSORIES

Product Name: SHOWER HEAD
Model Number: HAT-SW026



AVAILABLE COLORS



GLOSSY CHROME
SW-60197106



MATTE BLACK
SW-60197107

DIMENSIONS

Ø 30 x w 8.5 CM

DESCRIPTIONS

Material: Plastic (ABS) Shower Head
Collection: Contour
Shape: Round
Packaging unit: 1 piece

APPLICATIONS

Bathroom

TECHNICAL SPECIFICATION

Average Flow rate: 8.64 L/min
Maximum operating pressure: 10 bar
Water consumption: Class B
Spray mode: Rainfall
Mounting type: Exposed
Water inlet: G ½ in
Adjustable brass ball joint: Yes
Flow Regulator: Yes
Silicon Nozzles Easy to Clean

BOX COMPONENTS

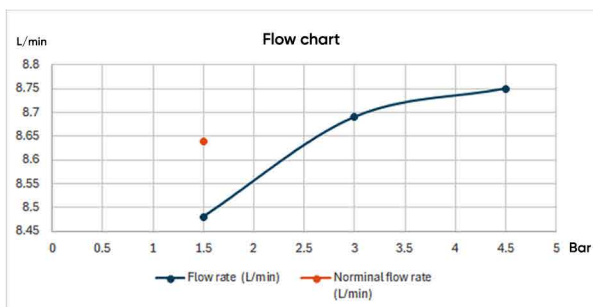
- Shower Head
- Rubber Gasket filter

COUNTRY OF ORIGIN

Made in China for HATCH Sanitary

WARRANTY

2 years



HATCH SANITARY

Hatch Sanitary is a trademark owned by MHG

Old Al Kharj Road, Building No. 3533
 Riyadh 14511 - 8305
 Kingdom of Saudi Arabia

info.mhg@marketing-home.com

800 122 2230