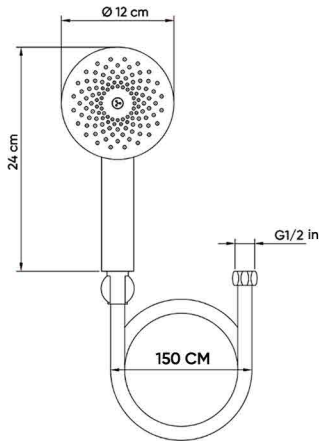


HATCH SHOWER ACCESSORIES

Product Name: HAND SHOWER SET
Model Number: HAT-SW020



AVAILABLE COLORS



DIMENSIONS

24 x 12 x 150 CM

DESCRIPTIONS

Material: Plastic (ABS) Hand Shower and Holder, Hose material PVC
Collection name: Convex
Shape: Round
Packaging unit: 1 set

TECHNICAL SPECIFICATION

Average Flow rate: 8.40 L/min
Maximum operating pressure: 10 bar
Water consumption: Class B
3 functions: Rainfall, Jet Sprayer, Mixing
Mounting type: Exposed
Flow Regulator: Yes
Control button for water mode: Yes
Hose connection size: G 1/2 in
360° Rotatable Shower Head
PVC hose 150 cm
Silicon Nozzles Easy to Clean

APPLICATIONS

Bathroom

BOX COMPONENTS

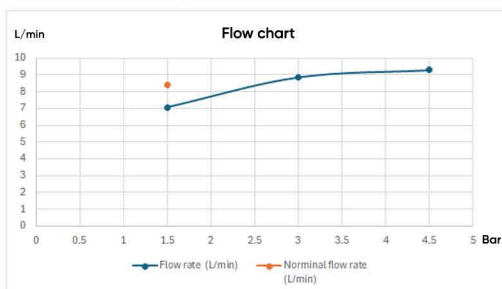
- Hand Shower
- Holder
- PVC hose
- Rubber Gasket filter
- Fischer wall plug set
- (SUS 304) screws

COUNTRY OF ORIGIN

Made in China for HATCH Sanitary

WARRANTY

2 years



HATCH SANITARY

Hatch Sanitary is a trademark owned by MHG

Old Al Kharj Road, Building No. 3533
 Riyadh 14511 - 8305
 Kingdom of Saudi Arabia

info.mhg@marketing-home.com

800 122 2230