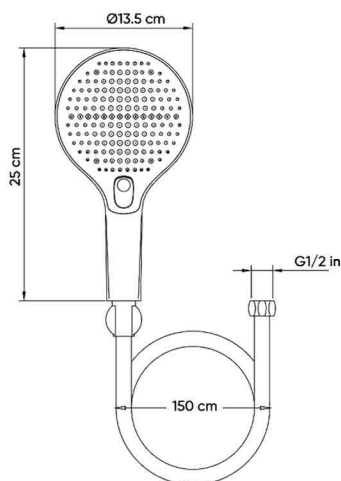


HATCH SHOWER ACCESSORIES

Product Name: HAND SHOWER SET

Model Number: HAT-SW018



AVAILABLE COLORS



GLOSSY CHROME
SW-60197090



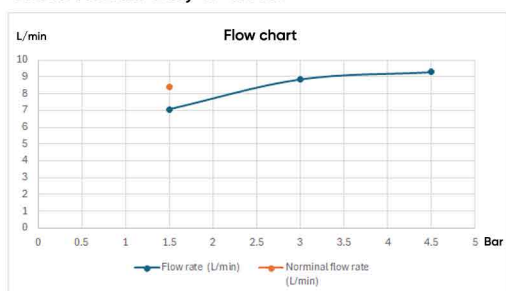
MATTE BLACK
SW-60197091

DESCRIPTIONS

Material: Plastic (ABS) Hand Shower and Holder, Hose material PVC
Collection name: Fleck
Shape: Round
Packaging unit: 1 set

TECHNICAL SPECIFICATION

Average Flow rate: 8.40 L/min
Maximum operating pressure: 10 bar
Water consumption: Class B
3 functions: Rainfall, Jet Sprayer, Mixing
Mounting type: Exposed
Flow Regulator: Yes
Control button for water mode: Yes
Hose connection size: G 1/2 in
PVC hose length: 150 cm
Silicon Nozzles Easy to Clean



DIMENSIONS

25 x 13.5 x 150 CM

APPLICATIONS

Bathroom

BOX COMPONENTS

- Hand Shower
- Holder
- PVC hose
- Rubber Gasket filter
- Fischer wall plug set
- (SUS 304) screws

COUNTRY OF ORIGIN

Made in China for HATCH Sanitary

WARRANTY

2 years



HATCH SANITARY

Hatch Sanitary is a trademark owned by MHG

Old Al Kharj Road, Building No. 3533
 Riyadh 14511 - 8305
 Kingdom of Saudi Arabia

© info.mhg@marketing-home.com

☎ 800 122 2230