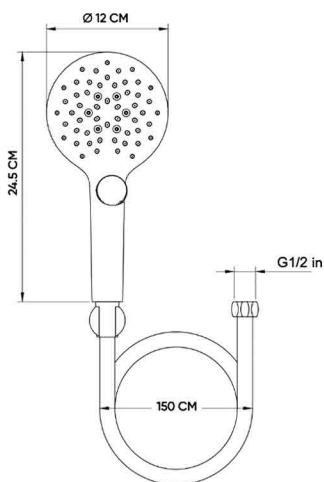


## HATCH SHOWER ACCESSORIES

**Product Name: HAND SHOWER SET**  
**Model Number: HAT-SW017**



### AVAILABLE COLORS



**GLOSSY CHROME**  
**SW-60197088**



**MATTE BLACK**  
**SW-60197089**

### DESCRIPTIONS

**Material:** Plastic (ABS) Hand Shower and Holder, Hose material PVC  
**Shape:** Round  
**Packaging unit:** 1 set

### TECHNICAL SPECIFICATION

**Average Flow rate:** 8.40 L/min  
**Maximum operating pressure:** 10 bar  
**Water consumption:** Class B  
**3 functions:** Rainfall, Jet Sprayer, Mixing  
**Mounting type:** Exposed  
**Flow Regulator:** Yes  
**Control button for water mode:** Yes  
**Hose connection size:** G ½ in  
**Rotary round button to control mode flow:** Yes  
**PVC hose 150 cm**  
**Silicon Nozzles Easy to Clean**



### DIMENSIONS

24.5 x 12 x 150 CM

### APPLICATIONS

Bathroom

### BOX COMPONENTS

- Shower hand
- Holder
- PVC hose
- Rubber Gasket filter
- Fischer wall plug set
- (SUS 304) screws

### COUNTRY OF ORIGIN

Made in China for HATCH Sanitary

### WARRANTY

2 years



### HATCH SANITARY

Hatch Sanitary is a trademark owned by MHG

Old Al Kharj Road, Building No. 3533  
 Riyadh 14511 - 8305  
 Kingdom of Saudi Arabia

info.mhg@marketing-home.com

800 122 2230