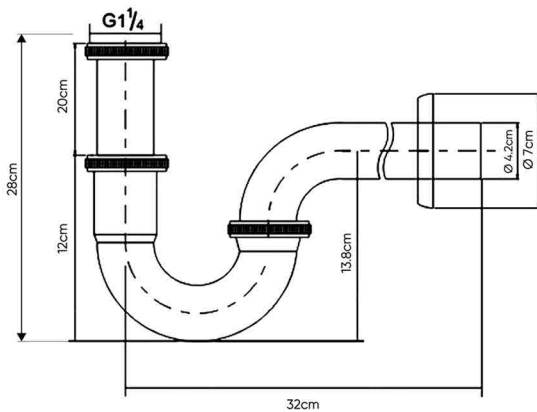


HATCH WASHBASIN ACCESSORIES

Product Name: SINK DRAINER
Model Number: HAT-SP003

10
YEARS
WARRANTY
FOR FUNCTION

2
YEARS
WARRANTY
FOR SURFACE



AVAILABLE COLORS

GLOSSY CHROME
SW-60197260

APPLICATIONS

Washbasin

DESCRIPTIONS

Material: Sink Drainer, stainless steel (SUS 304) Tubes & Frame and Brass Connecting Ring Chrome coating
 Shape: Round
 Packaging unit: 1 piece

DIMENSIONS

28 x 32 x 7 CM

TECHNICAL SPECIFICATION

Drainage hole size: G 1 1/4 in

BOX COMPONENTS

- Sink Drain Round Shape
- Round Frame
- Tubes (SUS 304)
- Rubber Gaskets
- Brass Connecting Ring

WARRANTY

10 years for function
 2 years for surface

COUNTRY OF ORIGIN

Made in China for HATCH Sanitary



HATCH SANITARY

Hatch Sanitary is a trademark owned by MHG

Old Al Kharj Road, Building No. 3533
 Riyadh 14511 - 8305
 Kingdom of Saudi Arabia

info.mhg@marketing-home.com

800 122 2230