

## HATCH WASHBASIN ACCESSORIES

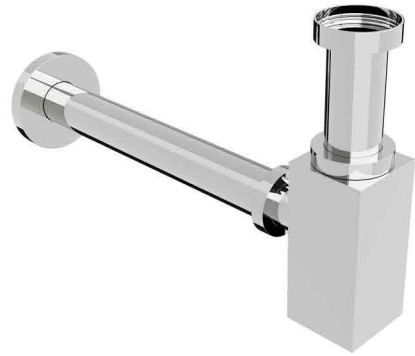
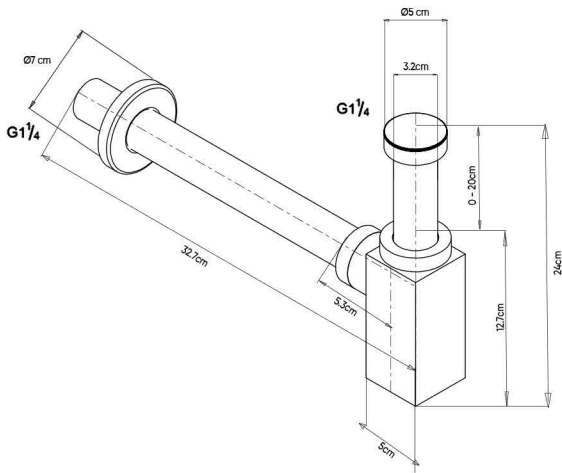
**Product Name: SINK DRAINER**  
**Model Number: HAT-SP002**



FOR FUNCTION



FOR SURFACE



### AVAILABLE COLORS



**GLOSSY CHROME**  
SW-01720053



**MATTE BLACK**  
SW-01720054



**BRUSHED NICKEL**  
SW-01720055



**GLOSSY GOLD**  
SW-01720057



**BRUSHED GOLD**  
SW-01720056



**BLACK TITANIUM**  
SW-01720058

### DESCRIPTIONS

Material: Brass Body, stainless steel (SUS 304) Pipes  
 Shape: Square  
 Packaging unit: 1 piece

### DIMENSIONS

24 x 32.7 x 7 CM

### TECHNICAL SPECIFICATION

Drainage hole size: G 1 1/4 in  
 Click Clack Pipe: Adjustable

### WARRANTY

10 years for function  
 2 years for surface

### APPLICATIONS

Washbasin

### BOX COMPONENTS

- Sink Drain Square Shape
- Round Frame (SUS 304)
- Tubes (SUS 304)
- Rubber Gaskets

### COUNTRY OF ORIGIN

Made in China for HATCH Sanitary



hatch-products.com

### HATCH SANITARY

Hatch Sanitary is a trademark owned by MHG

Old Al Kharj Road, Building No. 3533  
 Riyadh 14511 - 8305  
 Kingdom of Saudi Arabia

📧 info.mhg@marketing-home.com

☎ 800 122 2230