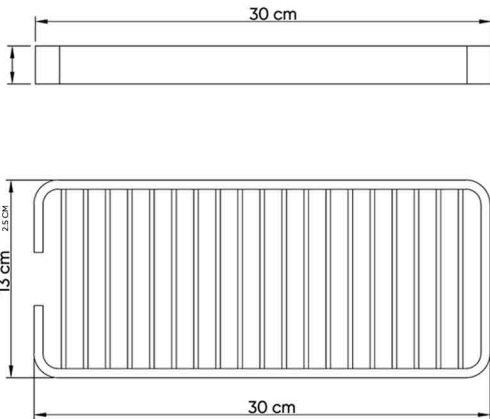


## HATCH BATHROOM ACCESSORIES

**Product Name: SHOWER SHELF**  
**Model Number: HAT-SB002**



### AVAILABLE COLORS



GLOSSY CHROME  
SW-60196851



MATTE BLACK  
SW-60196852



BRUSHED NICKEL  
SW-60196853



GLOSSY GOLD  
SW-60196854



BRUSHED GOLD  
SW-60196855



BLACK TITANIUM  
SW-60196856

### DESCRIPTIONS

Material: Shower Shelf, full body stainless steel (SUS 304)  
Packaging unit: 1 piece

### APPLICATIONS

Bathroom

### DIMENSIONS

13 x 30 x 2.5 CM

### BOX COMPONENTS

- Shower Basket
- Fischer wall plug set
- (SUS 304) screws

### WARRANTY

2 years

### COUNTRY OF ORIGIN

Made in China for HATCH Sanitary



[hatch-products.com](https://hatch-products.com)

### HATCH SANITARY

Hatch Sanitary is a trademark owned by MHG

Old Al Kharj Road, Building No. 3533  
Riyadh 14511 - 8305  
Kingdom of Saudi Arabia

📧 [info.mhg@marketing-home.com](mailto:info.mhg@marketing-home.com)

☎ 800 122 2230