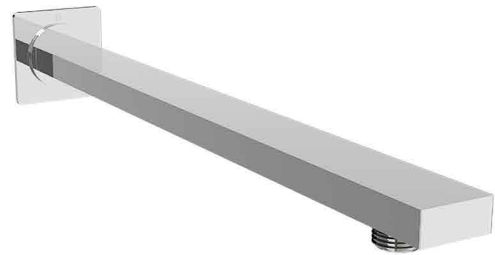
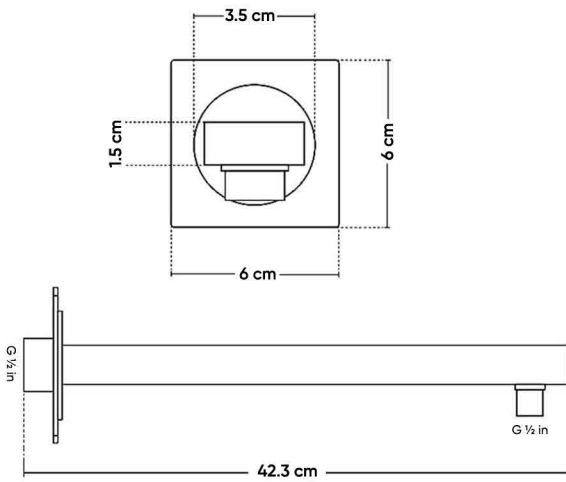


HATCH SHOWER ACCESSORIES

Product Name: WALL SHOWER ARM
Model Number: HAT-SA04



AVAILABLE COLORS



GLOSSY CHROME
SW01330320



MATTE BLACK
SW01330321



BRUSHED NICKEL
SW01530151



GLOSSY GOLD
SW01530047



BRUSHED GOLD
SW01530048



BLACK TITANIUM
SW01530049

MATERIAL

Stainless steel (SUS 304)

APPLICATIONS

Bathroom

DESCRIPTIONS

Shape: Square
 Packaging unit: 1 piece

BOX COMPONENTS

Shower Arm with frame

DIMENSIONS

42.3 x 3.5 x 6 CM

COUNTRY OF ORIGIN

Made in China for HATCH Sanitary

TECHNICAL SPECIFICATION

Connection size: G 1/2 in

WARRANTY

2 years



HATCH SANITARY

Hatch Sanitary is a trademark owned by MHG

Old Al Kharj Road, Building No. 3533
 Riyadh 14511 - 8305
 Kingdom of Saudi Arabia

📧 info.mhg@marketing-home.com

☎ 800 122 2230