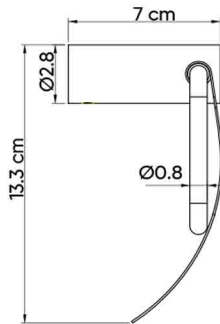
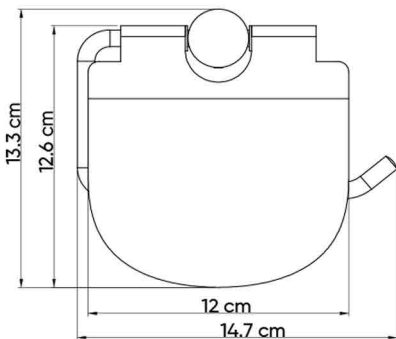


HATCH BATHROOM ACCESSORIES

Product Name: PAPER HOLDER WITH COVER
Model Number: HAT-PH003R



AVAILABLE COLORS



GLOSSY CHROME
SW-60197862



MATTE BLACK
SW-60197863



BRUSHED NICKEL
SW-60197864



GLOSSY GOLD
SW-60197865



BRUSHED GOLD
SW-60197866



BLACK TITANIUM
SW-60197867

DESCRIPTIONS

Material: Paper Holder with cover, full body stainless steel (SUS 304)
 Shape: Round
 Packaging unit: 1 piece

DIMENSIONS

14.7 x 13.5 x 7 CM

TECHNICAL SPECIFICATION

Cover thickness: 0.8 mm
 Mounting Type: Exposed Installation
 Plastic damper: YES to protect cover from scratch

WARRANTY

2 years

APPLICATIONS

Bathroom

BOX COMPONENTS

- (SUS 304) Paper Holder with cover
- Fischer wall plug set
- (SUS 304) screws
- Allen key

COUNTRY OF ORIGIN

Made in China for HATCH Sanitary



HATCH SANITARY

Hatch Sanitary is a trademark owned by MHG

Old Al Kharj Road, Building No. 3533
 Riyadh 14511 - 8305
 Kingdom of Saudi Arabia

info.mhg@marketing-home.com

800 122 2230