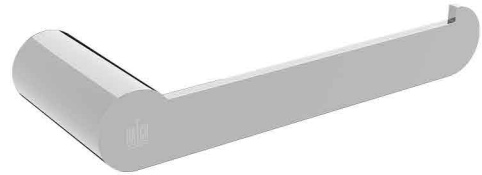
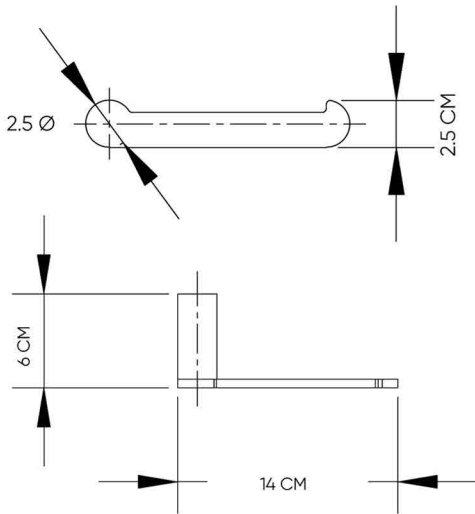


## HATCH BATHROOM ACCESSORIES

**Product Name: PAPER HOLDER**  
**Model Number: HAT-PH001R**



### AVAILABLE COLORS



GLOSSY CHROME  
SW01540079



MATTE BLACK  
SW01540080



BRUSHED NICKEL  
SW01540081



GLOSSY GOLD  
SW01540082



BRUSHED GOLD  
SW01540083



BLACK TITANIUM  
SW01540084

### DESCRIPTIONS

Material: Paper Holder, full body stainless steel (SUS 304)  
 Shape: Round  
 Packaging unit: 1 piece

### DIMENSIONS

2.5 x 14 x 6 CM

### WARRANTY

2 years

### APPLICATIONS

Bathroom

### BOX COMPONENTS

- Paper Holder
- Fischer wall plug set
- (SUS 304) screws
- Allen key

### COUNTRY OF ORIGIN

Made in China for HATCH Sanitary



### HATCH SANITARY

Hatch Sanitary is a trademark owned by MHG

Old Al Kharj Road, Building No. 3533  
 Riyadh 14511 - 8305  
 Kingdom of Saudi Arabia

📧 info.mhg@marketing-home.com

☎ 800 122 2230