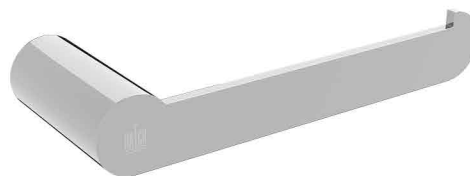
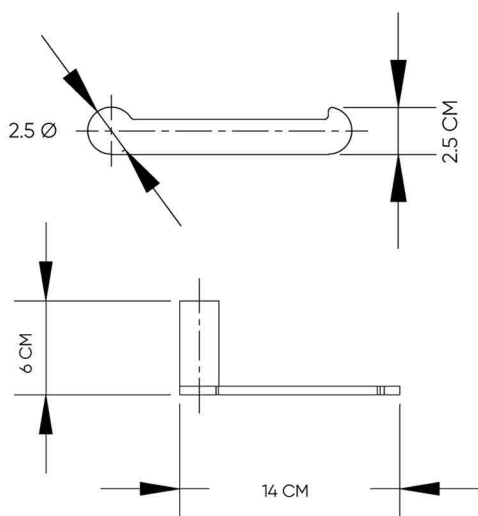


HATCH BATHROOM ACCESSORIES

Product Name: PAPER HOLDER
Model Number: HAT-PH001R



AVAILABLE COLORS



GLOSSY CHROME
SW01540079



MATTE BLACK
SW01540080



BRUSHED NICKEL
SW01540081



GLOSSY GOLD
SW01540082



BRUSHED GOLD
SW01540083



BLACK TITANIUM
SW01540084

DESCRIPTIONS

Material: Paper Holder, full body stainless steel (SUS 304)
 Shape: Round
 Packaging unit: 1 piece

APPLICATIONS

Bathroom

DIMENSIONS

2.5 x 14 x 6 CM

BOX COMPONENTS

- Paper Holder
- Fischer wall plug set
- (SUS 304) screws
- Allen key

WARRANTY

2 years

COUNTRY OF ORIGIN

Made in China for HATCH Sanitary



HATCH SANITARY

Hatch Sanitary is a trademark owned by MHG

Old Al Kharj Road, Building No. 3533
 Riyadh 14511 - 8305
 Kingdom of Saudi Arabia

📧 info.mhg@marketing-home.com

☎ 800 122 2230