

HATCH EXPOSED MIXERS

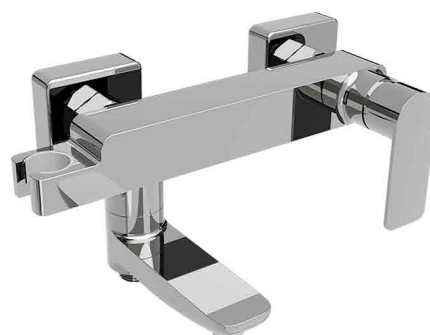
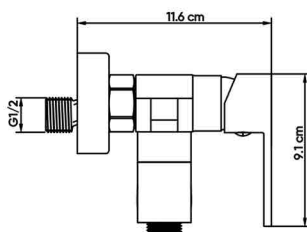
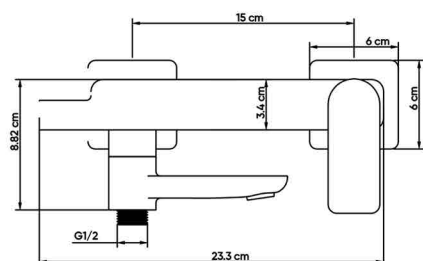
Product Name: EXPOSED MIXER WITH SPOUT 2-WAY
Model Number: HAT-MX058



AGAINST MANUFACTURING DEFECTS



SERVICE & ACCESSORIES



AVAILABLE COLORS



GLOSSY CHROME
SW-60196820



MATTE BLACK
SW-60196821



BRUSHED NICKEL
SW-60196822



GLOSSY GOLD
SW-60196823



BRUSHED GOLD
SW-60196824



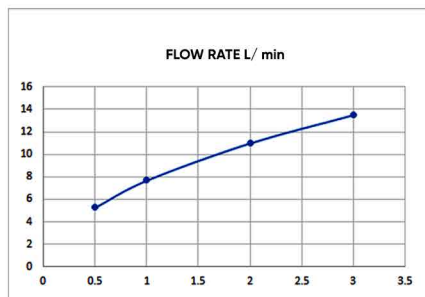
BLACK TITANIUM
SW-60196825

DESCRIPTIONS

Material: Brass main body and Spout, frame material: Stainless steel (SUS 304)
Shape: Square
Packaging unit: 1 piece

TECHNICAL SPECIFICATION

Average Flow rate: 10.4 L/min
 Maximum operating pressure: 15 bar
 Mounting type: Exposed
 Connection size: G ½ in
 Decorative ring thickness: 0.8 mm
 Ceramic cartridge: for handle/brass cartridge for diverter
 Non-return valve: Yes
 Two way functions
 Non-scratch protector
 Distance between water supply hole: ± 12 mm
 Spout center distance: 8.7 cm
 Rotatable spout: Yes (90° degrees)
 Removable aerator, easy to clean
 Uses as: Shattaf Mixer Shower Mixer, and Bathtub Mixer



DIMENSIONS

23.3 x 11.6 x 8.82 CM

APPLICATIONS

Bathroom

BOX COMPONENTS

- Mixer with built-in Spout
- Handle
- (SUS 304) Frame
- (SUS 304) S-union sets
- (SUS 304) Screws
- Silicon & Rubber
- Non-return valve
- Aetor key
- Allen key

COUNTRY OF ORIGIN

Made in China for HATCH Sanitary

WARRANTY

7 years against manufacturing defects
 2 years for service and accessories



HATCH SANITARY

Hatch Sanitary is a trademark owned by MHG

Old Al Kharj Road, Building No. 3533
 Riyadh 14511 - 8305
 Kingdom of Saudi Arabia

© info.mhg@marketing-home.com

☎ 800 122 2230