

HATCH EXPOSED MIXERS

Product Name: EXPOSED SHOWER MIXER

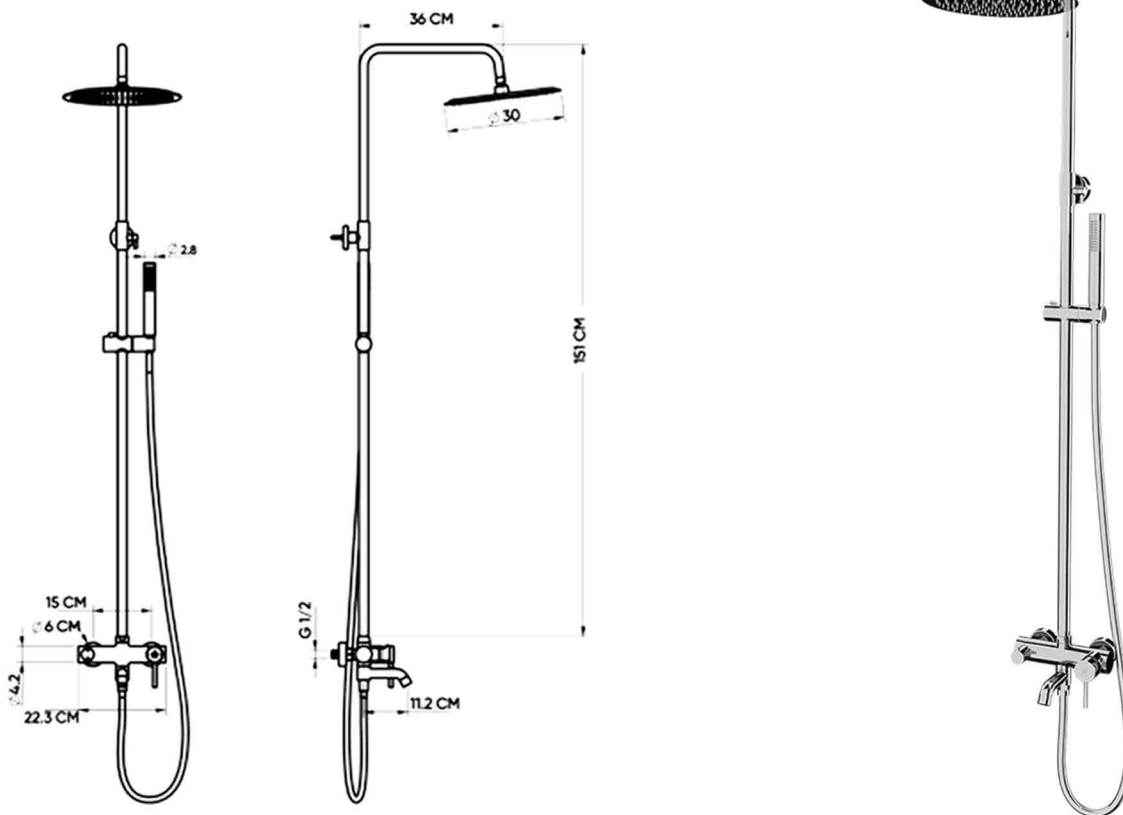
Model Number: HAT-MX053



AGAINST MANUFACTURING DEFECTS



FOR MECHANICAL PARTS



AVAILABLE COLORS

GLOSSY CHROME
SW-01720206

MATTE BLACK
SW-01720207

BRUSHED NICKEL
SW-01720208

GLOSSY GOLD
SW-01720209

BRUSHED GOLD
SW-01720210

BLACK TITANIUM
SW-01720211

DESCRIPTIONS

Exposed Shower Mixer

Material: Main body, Concealed, Spout, Hand Shower, material: Brass

Shower Head, Shower Column, Decorative ring material : Stainless steel (SUS 304), Hose material: PVC

Shape: Round

Packaging unit: 1 piece

DIMENSIONS

223 x 366 x 1510 MM

TECHNICAL SPECIFICATION

3 Functions (Rain Shower Head, Shower Hand, Spout)

Flow rate for the spout at 3 bar: 6 L/min

Flow rate for the Hand shower at 3 bar: 6.64 L/min

Flow rate for the Shower head at 3 bar: 7.2 L/min

Spray type Shower Hand and Shower head: rain

Maximum operating pressure : 15 bar

Water consumption : Class A

Ceramic cartridge: 35 mm

Center Distance: 150 mm

Rain Shower Head size: 300 mm

Shower Arm length Overhead Shower: 387 mm

Maximum Shower Pipe height: 1510 mm

Installation type: Exposed

Flow regulator for Hand Shower: Yes

Connection type: G ½ connections

Connection dimension: DN15

Hose Length: 150 cm

Flow Regulator for Hand shower, Shower head: Yes

Height-Adjustable Shower Hand Holder

Height of the Shower Bar is adjustable: Yes (upto 220 cm)

Spout Rotatable with On & Off function

Intrinsically safe against back flow

APPLICATIONS

Bathroom

BOX COMPONENTS

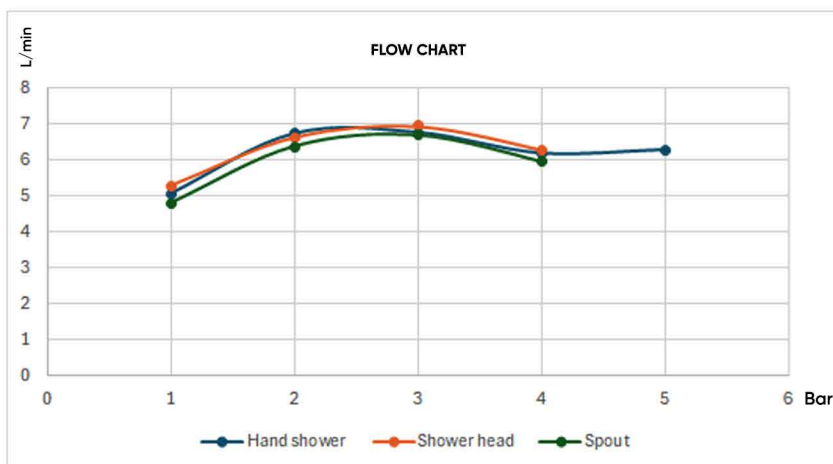
- Exposed Shower Mixer
- Brass Spout (Hot & Cold)
- (Sus 304) Rain Shower Head
- Brass Shower Hand
- PVC Hose (150 cm)
- Movable Holder
- (SUS 304) 2 Circular Mixer Frames
- Flow Regulator
- 2 Silicon Sleeves
- 2 Filters
- (SUS 304) 2 Half-Inch Mounting Connectors (M/F)
- Plastic Wrench
- Fischer Wall Plug Set
- (SUS 304) Screws
- Allen key
- Installation Manual

COUNTRY OF ORIGIN

Made in China for HATCH Sanitary

WARRANTY

7 years for concealed mixer
2 years for mechanical parts



HATCH SANITARY

Hatch Sanitary is a trademark owned by MHG

Old Al Kharj Road, Building No. 3533
Riyadh 14511 - 8305
Kingdom of Saudi Arabia

📧 info.mhg@marketing-home.com

☎ 800 122 2230