

HATCH EXPOSED MIXERS

Product Name: EXPOSED SHOWER MIXER SYSTEM

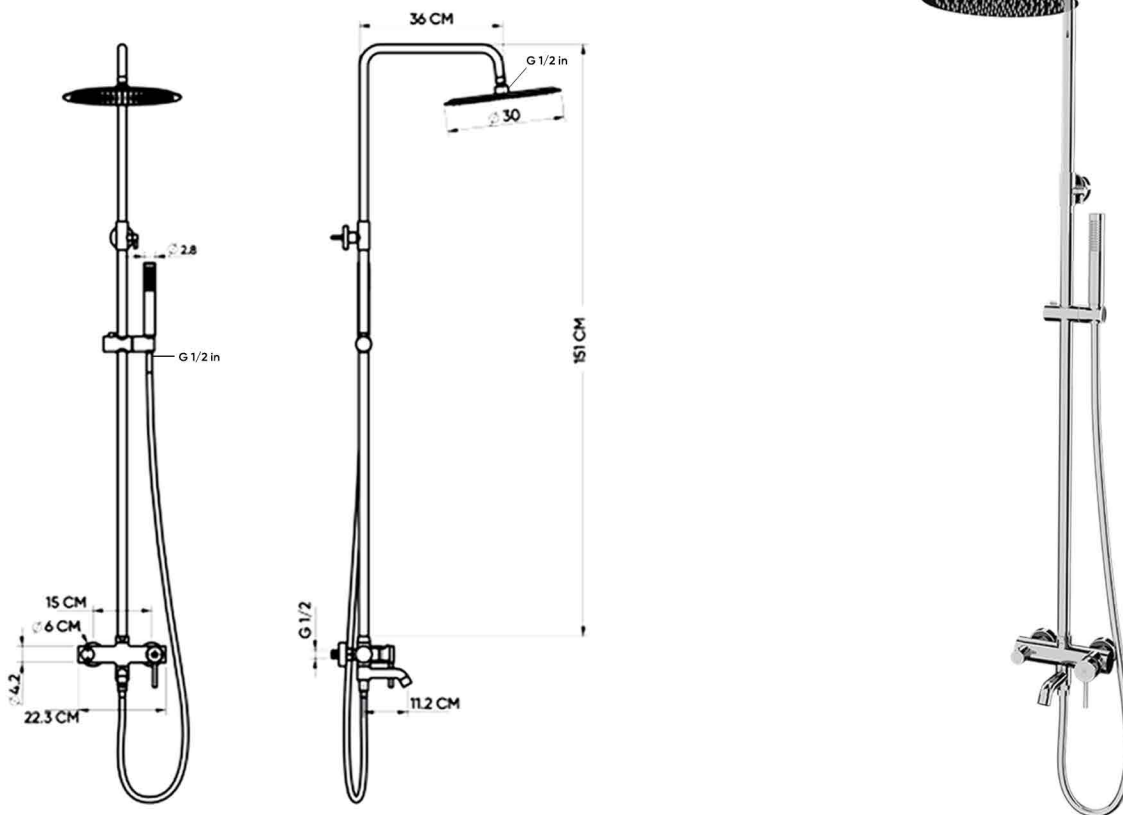
Model Number: HAT-MX053



AGAINST MANUFACTURING DEFECTS



MIXER ACCESSORIES, MECHANICAL PARTS AND SURFACE



AVAILABLE COLORS



GLOSSY CHROME
SW-01720206



MATTE BLACK
SW-01720207



BRUSHED NICKEL
SW-01720208



GLOSSY GOLD
SW-01720209



BRUSHED GOLD
SW-01720210



BLACK TITANIUM
SW-01720211

DESCRIPTIONS

Exposed Shower Mixer

Material: Main body, Spout, Hand Shower, material: Brass

Shower Head, Shower Colum, Decortive ring material: Stainless steel (SUS 304), Hose material: PVC

Shape: Round

Packaging unit: 1 set

DIMENSIONS

22.3 x 36.6 x 151 CM

TECHNICAL SPECIFICATION

3 Functions (Rain Shower Head, Shower Hand, Spout)

Average Flow rate for the spout: 6 L/min

Average Flow rate for the Hand shower: 6.64 L/min

Average Flow rate for the Shower head: 7.2 L/min

Spray type Shower Hand and Shower head: rain

Maximum operating pressure : 15 bar

Water consumption : Class A

Ceramic cartridge

Center Distance: 15 cm ± 1.2 cm

Rain Shower Head size: 30 cm

Shower Arm length Overhead Shower: 38.7 cm

Maximum Shower Pipe height: 151 cm

Installation type: Exposed

Flow regulator for Hand Shower: Yes

Connection type: G ½ connections

Hose Length: 150 cm

Flow Regulator for Hand shower, Shower head: Yes

Height-Adjustable Shower Hand Holder

Height of the Shower Bar is adjustable: Yes (up to 220 cm)

Spout Rotatable with On & Off function: Yes

With non-return valve for the hot water line.

APPLICATIONS

Bathroom

BOX COMPONENTS

- Exposed Shower Mixer
- Brass Spout (Hot & Cold)
- (Sus 304) Rain Shower Head
- Brass Hand Shower
- PVC Hose (150 cm)
- Movable Holder
- (SUS 304) 2 Circular Mixer Frames
- Flow Regulator
- 2 Filters
- Set of S-union
- Plastic Wrench
- Fischer Wall Plug Set
- (SUS 304) Screws
- Allen key
- Installation Manual

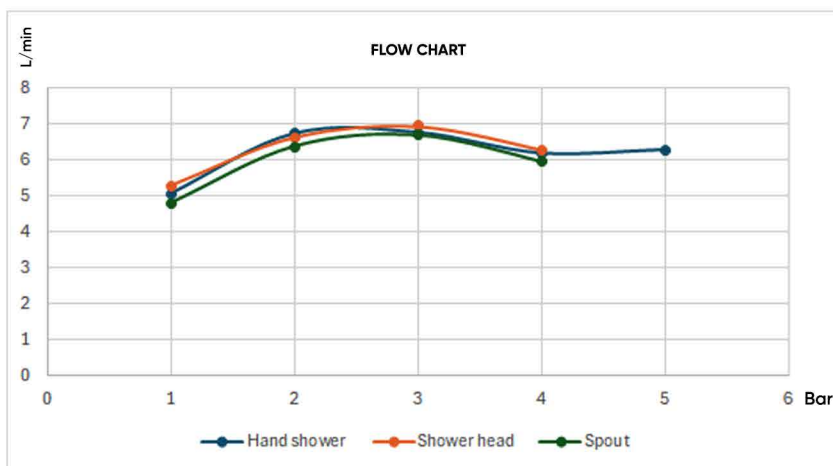
COUNTRY OF ORIGIN

Made in China for HATCH Sanitary

WARRANTY

7 years for concealed mixer

2 years for mixer accessories, mechanical parts and surface



HATCH SANITARY

Hatch Sanitary is a trademark owned by MHG

Old Al Kharj Road, Building No. 3533
Riyadh 14511 - 8305
Kingdom of Saudi Arabia

📧 info.mhg@marketing-home.com

☎ 800 122 2230