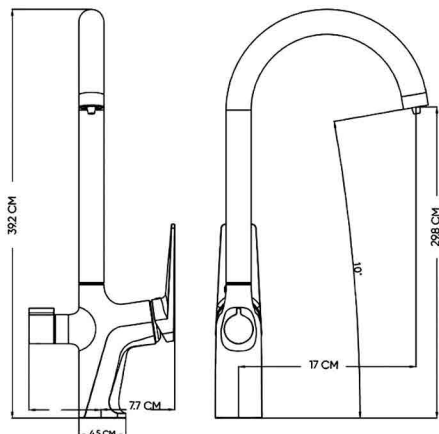


## HATCH KITCHEN MIXERS

**Product Name: KITCHEN MIXER WITH FILTER**

**Model Number: HAT-MX048**



### AVAILABLE COLORS



**GLOSSY CHROME**  
SW-01720218



**MATTE BLACK**  
SW-01720219



**BRUSHED NICKEL**  
SW-01720220



**GLOSSY GOLD**  
SW-01720221



**BRUSHED GOLD**  
SW-01720222



**BLACK TITANIUM**  
SW-01720223

### DESCRIPTIONS

Kitchen Mixer with filter

**Material:** Main Body, Tube: Brass

Packaging unit: 1 piece

### DIMENSIONS

40.4 x 22.72 x 13CM

Projection: 271 mm

Spout height: 266 mm

### TECHNICAL SPECIFICATION

Flow rate at 3 bar: 3.37 L/min

Maximum operating pressure: 15 bar

Water consumption: Class A

2 Functions: Normal water and Filter water (Each one has separate handle to open and separate outlet water)

Ceramic cartridge

Connection type: G 1/2 in connections

Water outlet able to open for cleaning: Yes

Flow regulator: Yes

### APPLICATIONS

Kitchen

### BOX COMPONENTS

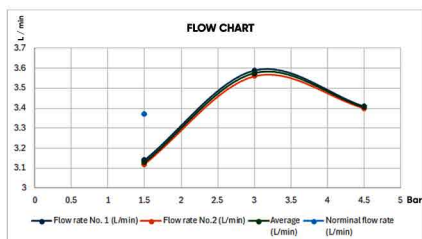
- Kitchen Mixer
- 2 Hoses (Hot & Cold)
- 1 Hose for filter
- Mounting Rings
- (SUS 304) Screws

### COUNTRY OF ORIGIN

Made in China for HATCH Sanitary

### WARRANTY

5 years



### HATCH SANITARY

Hatch Sanitary is a trademark owned by MHG

Old Al Kharj Road, Building No. 3533  
Riyadh 14511 - 8305  
Kingdom of Saudi Arabia

© info.mhg@marketing-home.com

☎ 800 122 2230