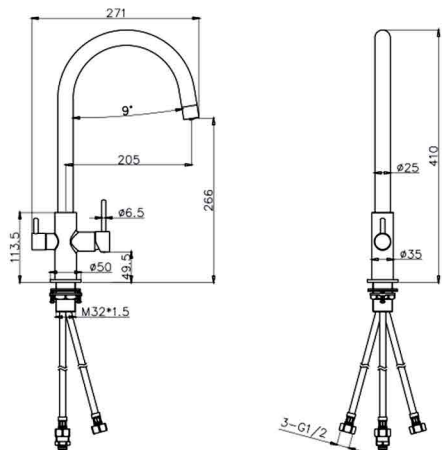


HATCH KITCHEN MIXERS

Product Name: KITCHEN MIXER WITH FILTER

Model Number: HAT-MX047



AVAILABLE COLORS



GLOSSY CHROME
SW015401208



MATTE BLACK
SW015401210



BRUSHED NICKEL
SW015401211



GLOSSY GOLD
SW015401212



BRUSHED GOLD
SW015401213



BLACK TITANIUM
SW015401214

DESCRIPTIONS

Kitchen Mixer with filter
Material: Main Body, Tube: Brass
Packaging unit: 1 piece

DIMENSIONS

40.4 x 22.72 x 13CM
Projection: 271 mm
Spout height: 266 mm

TECHNICAL SPECIFICATION

Flow rate at 3 bar: 3.37 L/min
Maximum operating pressure: 15 bar
Water consumption: Class A
2 Functions: Nomal water and Filter water (Each one has separate handle to open and separate outlet water)
Ceramic cartridge
Connection type: G ½ in connections
Water outlet able to open for cleaning: Yes
Flow regulator: Yes

APPLICATIONS

Kitchen

BOX COMPONENTS

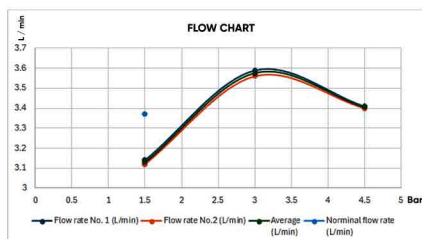
- Kitchen Mixer
- 2 Hoses (Hot & Cold)
- 1 Hose for filter
- Mounting Rings
- (SUS 304) Screws
- Allen key

COUNTRY OF ORIGIN

Made in China for HATCH Sanitary

WARRANTY

5 years



HATCH SANITARY

Hatch Sanitary is a trademark owned by MHG

Old Al Kharj Road, Building No. 3533
Riyadh 14511 - 8305
Kingdom of Saudi Arabia

© info.mhg@marketing-home.com

☎ 800 122 2230