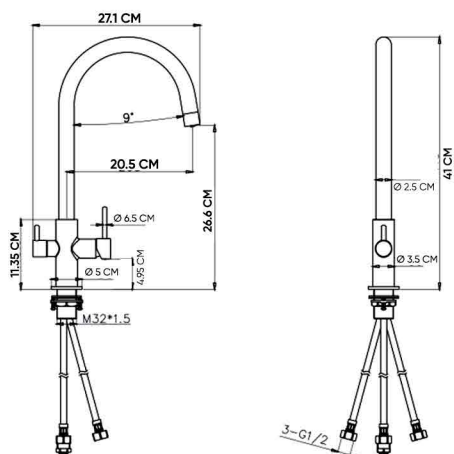


HATCH KITCHEN MIXERS

Product Name: KITCHEN MIXER WITH FILTER

Model Number: HAT-MX047



AVAILABLE COLORS



GLOSSY CHROME
SW015401208



MATTE BLACK
SW015401210



BRUSHED NICKEL
SW015401211



GLOSSY GOLD
SW015401212



BRUSHED GOLD
SW015401213



BLACK TITANIUM
SW015401214

DESCRIPTIONS

Kitchen Mixer with filter
Material: Main Body, Tube: Brass
Packaging unit: 1 piece

DIMENSIONS

41 x 27.1 CM

TECHNICAL SPECIFICATION

Average Flow rate: 3.37 L/min
Maximum operating pressure: 15 bar
Water consumption: Class A
2 Functions: Normal water and Filter water (Each one has separate handle to open and separate outlet water)
Ceramic cartridge
Projection: 27.1 cm
Spout Height: 26.6 cm
Hot/Cold Hoses length: 60 cm
Connection type: G 1/2 in connections
Water outlet able to open for cleaning: Yes
Flow regulator: Yes

APPLICATIONS

Kitchen

BOX COMPONENTS

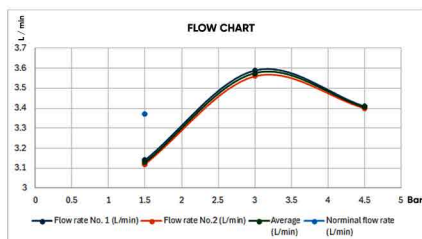
- Kitchen Mixer
- 2 Hoses (Hot & Cold)
- 1 Hose for filter
- Fixing set
- (SUS 304) Screws
- Allen key

COUNTRY OF ORIGIN

Made in China for HATCH Sanitary

WARRANTY

5 years for function
2 years for surface



HATCH SANITARY

Hatch Sanitary is a trademark owned by MHG

Old Al Kharj Road, Building No. 3533
Riyadh 14511 - 8305
Kingdom of Saudi Arabia

© info.mhg@marketing-home.com

☎ 800 122 2230