

HATCH FREESTANDING MIXER

Product Name: **FREESTANDING WASHBASIN MIXER**

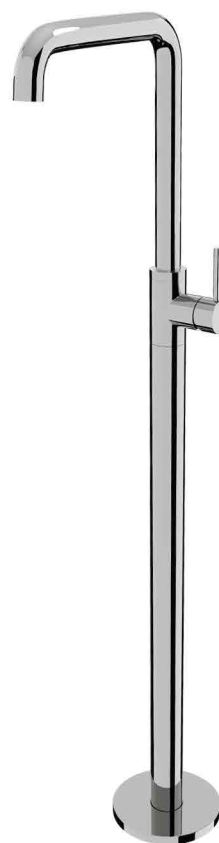
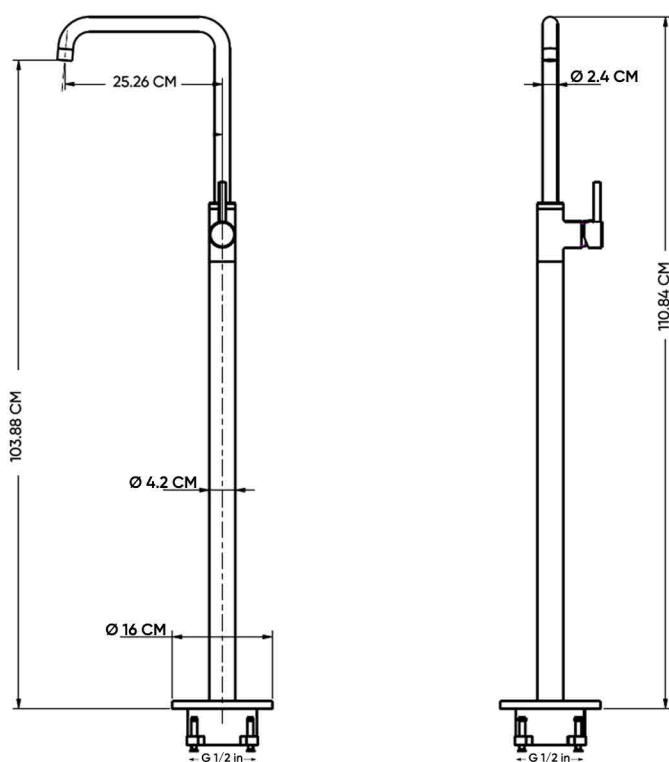
Model Number: HAT-MX044



CONCEALED MIXER



MIXER ACCESSORIES,
MECHANICAL PARTS
AND SURFACE



AVAILABLE COLORS



GLOSSY CHROME
SW015401224



MATTE BLACK
SW015401225



BRUSHED NICKEL
SW015401226



GLOSSY GOLD
SW015401227



BRUSHED GOLD
SW015401228



BLACK TITANIUM
SW015401229

DESCRIPTIONS

Free-standing Washbain Mixer

Material: Main body, Concealed, Spout, Hand Shower, material: Brass
Frame & standing tube, material : Stainless steel (SUS 304)

Shape: Round

Packaging unit: 1 piece

DIMENSIONS

L 103.88 x W 25.26 x H 110.84 CM

APPLICATIONS

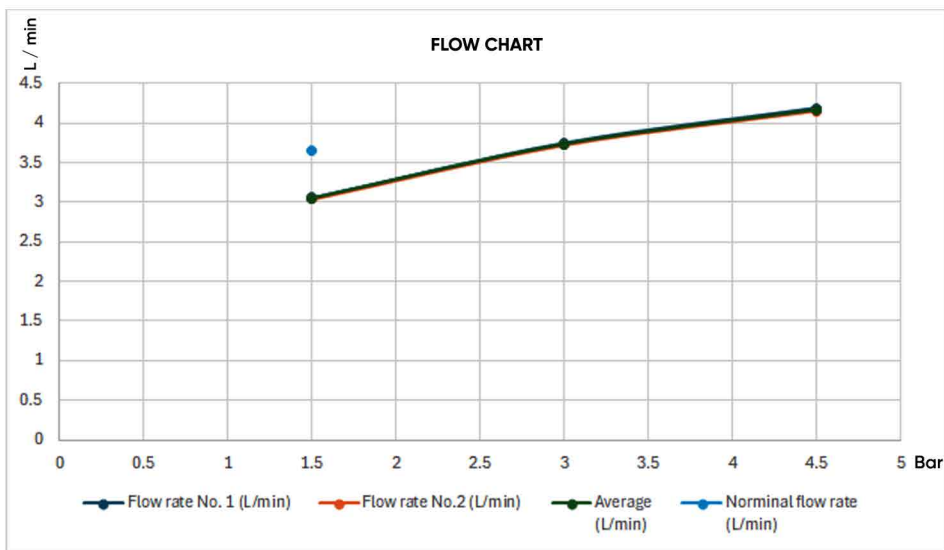
Bathroom

TECHNICAL SPECIFICATION

Average Flow rate: 3.65 L/min
Maximum operating pressure : 15 bar
Water consumption : Class A
Spray type: Normal spray
Installation type: Floor-mounted
Connection type: G ½ connections
Projection: 25.26 cm
Standing height: 110.84 cm
Ceramic cartridge
Spout Aerator, Removable and easy to clean
Two water inlet pipes-TP2 with CU 99.95%

BOX COMPONENTS

- Washbasin Mixer
- Brass Connector
- Mounting Pipe
- 2 water inlet pipes
- 2 Plastic tubes for testing
- (SUS 304) Frame
- Concealed Mixer with Plastic (ABS) Protection Box
- (SUS 304) Screws
- Allen key
- Aerator key
- Installation Manual



WARRANTY

7 years for concealed mixer
2 years for mixer accessories, mechanical parts and surface

COUNTRY OF ORIGIN

Made in China for HATCH Sanitary



HATCH SANITARY

Hatch Sanitary is a trademark owned by MHG

Old Al Kharj Road, Building No. 3533
Riyadh 14511 - 8305
Kingdom of Saudi Arabia

📧 info.mhg@marketing-home.com

☎ 800 122 2230