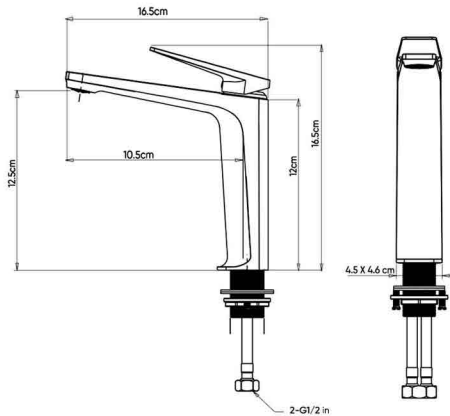


HATCH COUNTERTOP WASHBASIN MIXERS

Product Name: SINGLE LEVER WASHBASIN MIXER
Model Number: HAT-MX042



AVAILABLE COLORS



GLOSSY CHROME
SW-01540133



MATTE BLACK
SW-01540134



BRUSHED NICKEL
SW-01540135



GLOSSY GOLD
SW-01540136



BRUSHED GOLD
SW-01540137



BLACK TITANIUM
SW-01540138

DESCRIPTIONS

Washbasin Mixer

Material: Main body : Brass, Inlet hose material: Nylon hose with brass nuts

Shape: Square

Packaging unit: 1 piece

TECHNICAL SPECIFICATION

Average Flow rate: 3.65 L/min

Maximum operating pressure: 15 bar

Water consumption: Class A

Spray type: Normal spray

Mounting type: Countertop

Inlet hose size: G 1/2 in

Projection: 10.5 cm

Spout height: 12.5 cm

Inlet hose length: 60 cm

Removable aerator: Yes (Easy to clean)

Ceramic cartridge

DIMENSIONS

16.5 x 12.5 CM

APPLICATIONS

Bathroom/Washroom

BOX COMPONENTS

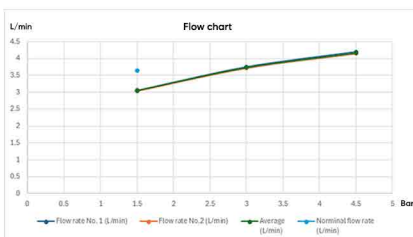
- Washbasin Mixer
- 2 Hoses (Hot & Cold)
- Sleeve
- Rubber Gasket
- (SUS 304) Screws
- Fixing set
- Aerator key

COUNTRY OF ORIGIN

Made in China for HATCH Sanitary

WARRANTY

5 years for function
2 years for surface



HATCH SANITARY

Hatch Sanitary is a trademark owned by MHG

Old Al Kharj Road, Building No. 3533
Riyadh 14511 - 8305
Kingdom of Saudi Arabia

© info.mhg@marketing-home.com

☎ 800 122 2230