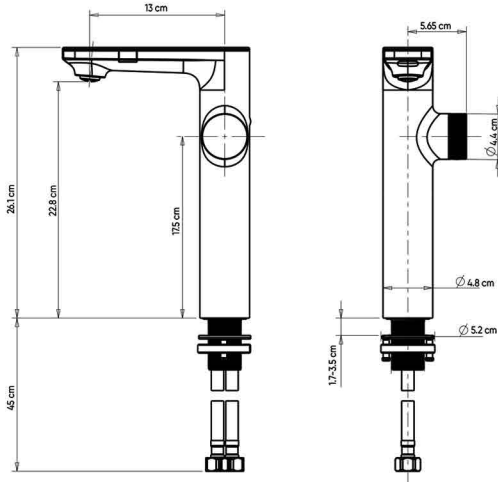


## HATCH TOUCHLESS WASHBASIN MIXER

**Product Name: SENSOR WASHBASIN MIXER**  
**Model Number: HAT-MX041**



### AVAILABLE COLORS



### DIMENSIONS

H 26.1 x D 30 x Ø 4.8 CM

### DESCRIPTIONS

Material: Sensor Washbasin Mixer, Zinc main body and Handle  
 Projection: 13 cm  
 Spout height: 11 cm

### APPLICATIONS

Bathroom

### TECHNICAL SPECIFICATION

Average Flow rate: 3.09 L/min  
 Spray type: Normal spray  
 Connection type: G ½ inch connections

### BOX COMPONENTS

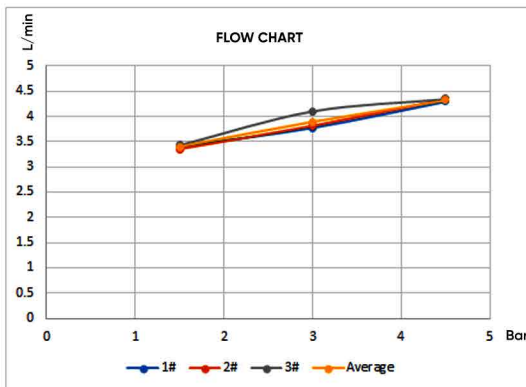
- Sensor Washbasin Mixer
- 2 Hoses (Hot & Cold)
- Fixing set
- (SUS 304) Screws
- Lock nut
- Aerator key
- Battery Box
- Allen Key

### COUNTRY OF ORIGIN

Made in China for HATCH Sanitary

### WARRANTY

2 years



### HATCH SANITARY

Hatch Sanitary is a trademark owned by MHG

Old Al Kharj Road, Building No. 3533  
 Riyadh 14511 - 8305  
 Kingdom of Saudi Arabia

@ info.mhg@marketing-home.com

☎ 800 122 2230