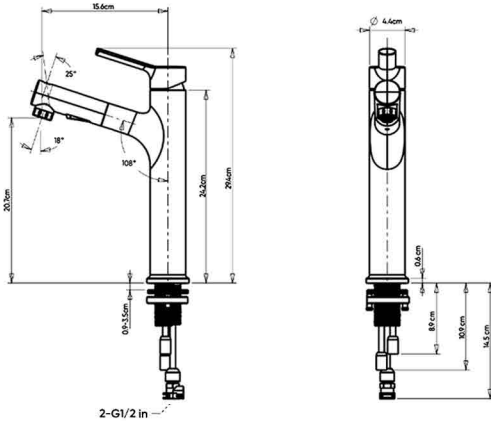


HATCH COUNTERTOP WASHBASIN MIXERS

Product Name: SINGLE LEVER WASHBASIN MIXER
Model Number: HAT-MX038



AGAINST MANUFACTURING DEFECTS FOR MIXER



AVAILABLE COLORS

GLOSSY CHROME
SW01530579

MATTE BLACK
SW01530580

DIMENSIONS

29.4 x 15.6 x 4.4 CM

DESCRIPTIONS

Three Functional Pull-out Washbasin Mixer

Material: Main body : Brass, Inlet hose material: Stainless steel (SUS 304), Pull-out hose material: Nylon
 Packaging unit: 1 piece

TECHNICAL SPECIFICATION

Average Flow rate: 3.65 L/min
 Maximum operating pressure: 15 bar
 Water consumption: Class A
 Spray type: Stream, Spray, Waterfall
 Mounting type: Countertop
 Inlet hose size: G ½ in
 Projection: 15.6 cm
 Spout height: 20.2 cm
 Inlet hose length: 60 cm
 Pull-out hose size: 140 cm
 Flow regulator: Yes
 Gravity device rubber: 320 g
 Non-return valve: yes
 Removable aerator: Yes (Easy to clean)
 Ceramic cartridge

APPLICATIONS

Bathroom/Washroom

BOX COMPONENTS

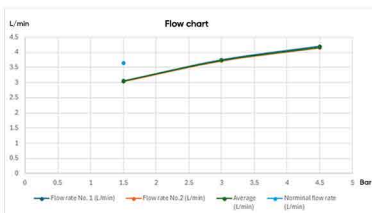
- Single Lever Mixer
- 2 Hoses (Hot & Cold)
- Fixing set
- (SUS 304) Screws
- Nylon hose for head shower
- Gravity device

COUNTRY OF ORIGIN

Made in China for HATCH Sanitary

WARRANTY

5 years against manufacturing defects for mixer



HATCH SANITARY

Hatch Sanitary is a trademark owned by MHG

Old Al Kharj Road, Building No. 3533
 Riyadh 14511 - 8305
 Kingdom of Saudi Arabia

info.mhg@marketing-home.com

800 122 2230