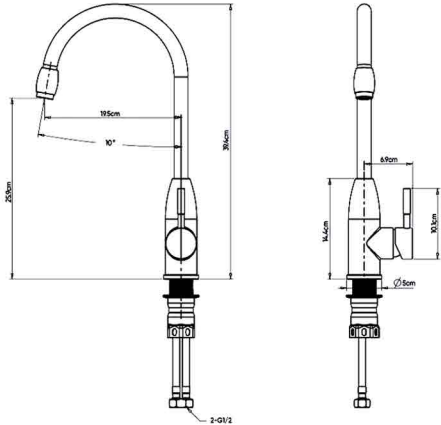


HATCH WASHBASIN MIXERS

Product Name: KITCHEN MIXER
Model Number: HAT-MX035



AVAILABLE COLORS



DESCRIPTIONS

Material: Kitchen Mixer, full body stainless steel (SUS 304) with filter function

DIMENSIONS

35.7 x 25.9 x 13.1 CM
 Projection: 259 mm
 Spout height: 323 mm

TECHNICAL SPECIFICATION

Maximum flow rate at 3 bar: 4.20 L/min
 Maximum operating pressure: 15 bar
 Spray type: Normal spray
 Connection type: G ½ connections
 Connection dimension: DN15

With its sturdy design and practical features, this blender will be your perfect choice for effortless everyday use

APPLICATIONS

Kitchen

BOX COMPONENTS

• Kitchen Mixer
 • Hoses (Hot & Cold)
 • Filter for filter
 • Fixing Rings

• Kitchen mixer made of copper and plated with stainless steel
 • Maximum pressure 15 bar

• Product dimensions and weight

• Length 39.4cm x Width 19.5cm x Height 9.4cm (4.5kg)

• Carton Contents

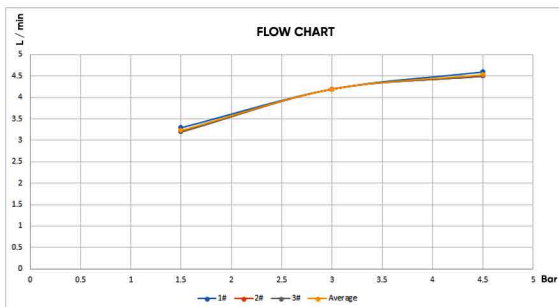
• Kitchen mixer
 • hot and cold hoses 2
 • Copper fixing ring

ENTRY OF ORIGIN

Manufactured in China for HATCH Sanitary

WARRANTY

5 years



HATCH SANITARY

Hatch Sanitary is a trademark owned by MHG

Old Al Kharj Road, Building No. 3533
 Riyadh 14511 - 8305
 Kingdom of Saudi Arabia

info.mhg@marketing-home.com

800 122 2230