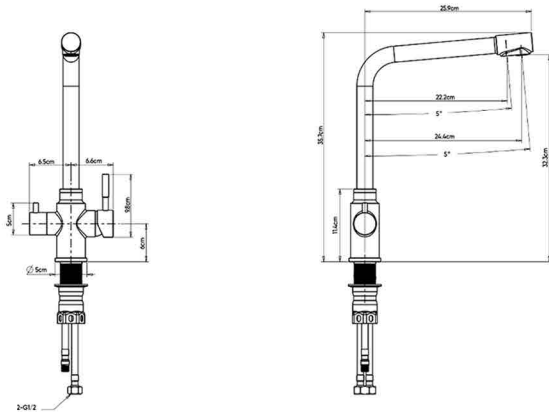


HATCH KITCHEN MIXERS

Product Name: KITCHEN MIXER WITH FILTER
Model Number: HAT-MX034



AVAILABLE COLORS

GLOSSY CHROME
SW01540150

MATTE BLACK
SW01540151

BRUSHED NICKEL
SW01530180

GLOSSY GOLD
SW01540152

BRUSHED GOLD
SW01540153

DESCRIPTIONS

Kitchen Mixer with filter
Material: Full body, Handle: Stainless steel (SUS 304)
 Packaging unit: 1 piece

APPLICATIONS

Kitchen

DIMENSIONS

35.7 x 25.9 x 13.1 CM
 Projection: 259 mm
 Spout height: 323 mm

BOX COMPONENTS

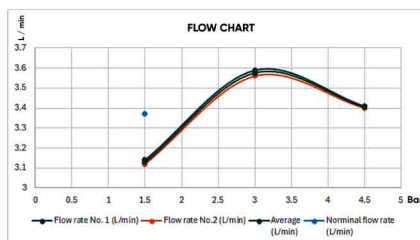
- Kitchen Mixer
- 2 Hoses (Hot & Cold)
- 1 Hose for filter
- Mounting Rings

TECHNICAL SPECIFICATION

Flow rate at 3 bar: 3.37 L/min
 Maximum operating pressure: 15 bar
 Water consumption: Class A
 2 Functions: Normal water and Filter water (Each one has separate handle to open and separate outlet water)
 Ceramic cartridge
 Connection type: G 1/2 in connections
 Water outlet able to open for cleaning: Yes
 Flow regulator: Yes

COUNTRY OF ORIGIN

Made in China for HATCH Sanitary



WARRANTY

5 years



HATCH SANITARY

Hatch Sanitary is a trademark owned by MHG

Old Al Kharj Road, Building No. 3533
 Riyadh 14511 - 8305
 Kingdom of Saudi Arabia

info.mhg@marketing-home.com

800 122 2230