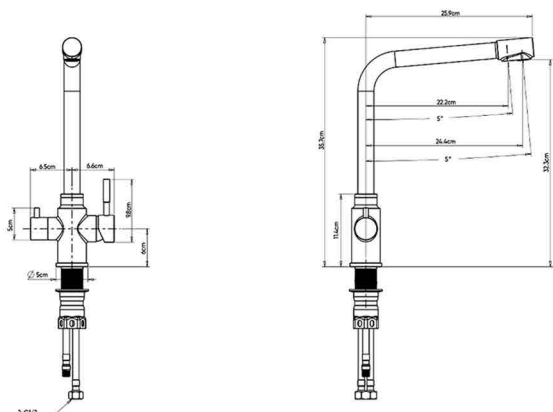


HATCH KITCHEN MIXERS

Product Name: KITCHEN MIXER WITH FILTER
Model Number: HAT-MX034

5
YEARS
WARRANTY
FOR FUNCTION

2
YEARS
WARRANTY
FOR SURFACE



AVAILABLE COLORS



GLOSSY CHROME
SW01540150



MATTE BLACK
SW01540151



BRUSHED NICKEL
SW01530180



GLOSSY GOLD
SW01540152



BRUSHED GOLD
SW01540153

DESCRIPTIONS

Kitchen Mixer with filter

Material: Full body, Handle: Stainless steel (SUS 304)

Packaging unit: 1 piece

DIMENSIONS

35.7 x 25.9 x 13.1 CM

TECHNICAL SPECIFICATION

Average Flow rate: 3.37 L/min

Maximum operating pressure: 15 bar

Water consumption: Class A

2 Functions: Normal water and Filter water (Each one has separate handle to open and separate outlet water)

Ceramic cartridge

Projection: 25.9 cm

Spout Height: 32.3 cm

Hot/Cold Hoses length: 60 cm

Connection type: G 1/2 in connections-hot

Water outlet able to open for cleaning: Yes

Flow regulator: Yes

APPLICATIONS

Kitchen

BOX COMPONENTS

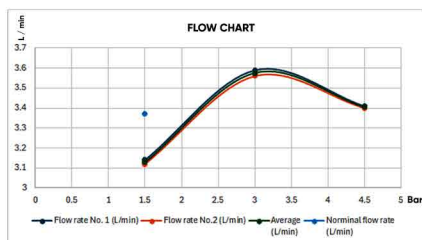
- Kitchen Mixer
- 2 Hoses (Hot & Cold)
- 1 Hose for filter
- Fixing set

COUNTRY OF ORIGIN

Made in China for HATCH Sanitary

WARRANTY

5 years for function
2 years for surface



HATCH SANITARY

Hatch Sanitary is a trademark owned by MHG

Old Al Kharj Road, Building No. 3533
Riyadh 14511 - 8305
Kingdom of Saudi Arabia

info.mhg@marketing-home.com

800 122 2230