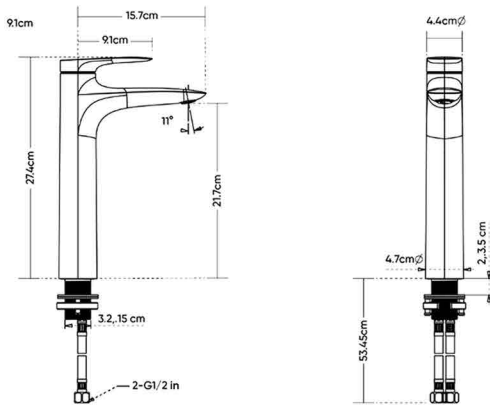


## HATCH COUNTERTOP WASHBASIN MIXERS

**Product Name: SINGLE LEVER WASHBASIN MIXER**  
**Model Number: HAT-MX022**



### AVAILABLE COLORS



### DESCRIPTIONS

**Material:** Brass main body, connection pipes, Inlet Hose material: Nylon with Brass nuts  
**Packaging unit:** 1 piece

### TECHNICAL SPECIFICATION

Average Flow rate: 3.65 L/min  
 Maximum operating pressure: 15 bar  
 Water consumption: Class A  
 Spray type: Normal spray  
 Inlet hose size: G ½ in  
 Inlet hose length: 60 cm  
 Mounting type: Countertop  
 Projection: 15.7 cm  
 Spout height: 21.7 cm  
 Ceramic cartridge  
 Aerator able to open, easy to clean

### DIMENSIONS

27.4 x 15.7 x 4.4 CM

### APPLICATIONS

Bathroom/Washroom

### BOX COMPONENTS

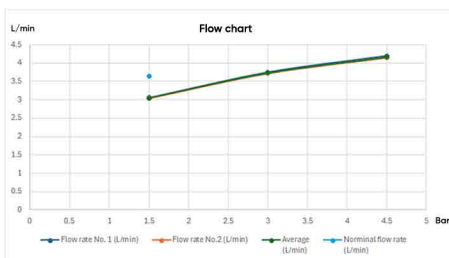
- Single Lever Mixer
- 2 Hoses (Hot & Cold)
- Fixing set
- (SUS 304) Screws
- Aerator key

### COUNTRY OF ORIGIN

Made in China for HATCH Sanitary

### WARRANTY

5 years against manufacturing defects for mixer



### HATCH SANITARY

Hatch Sanitary is a trademark owned by MHG

Old Al Kharj Road, Building No. 3533  
 Riyadh 14511 - 8305  
 Kingdom of Saudi Arabia

© info.mhg@marketing-home.com

☎ 800 122 2230