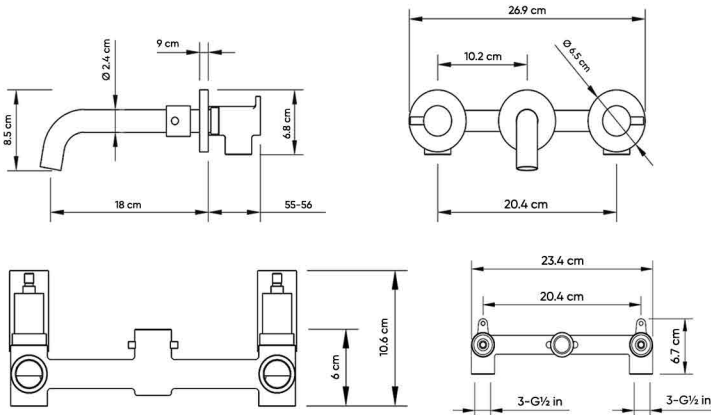


HATCH WASHBASIN MIXERS

Product Name: WASHBASIN WALL-MOUNTED MIXER
Model Number: HAT-MX016



AVAILABLE COLORS



GLOSSY CHROME
SW01530102



MATTE BLACK
SW01530103



BRUSHED NICKEL
SW01530104



GLOSSY GOLD
SW01530105



BRUSHED GOLD
SW01530106



BLACK TITANIUM
SW01530107

DESCRIPTIONS

Material: Brass main body Concealed Mixer, Brass Spout, Brass Frame
Shape: Round
Packaging unit: 1 piece

TECHNICAL SPECIFICATION

Installation type: Wall-mounted
Average Flow rate: 3.87 L/min
Water consumption: Class A
Spray type: Normal spray
Maximum operating pressure: 15 bar
Connection type: G $\frac{1}{2}$ in connections
Spout length: 180 mm
Brass cartridge: 2 pcs
Temperature limitation adjustable
With aerator, easy to clean
With embodied box, easy to install

DIMENSIONS

18 x 23.4 x 8.5 CM

APPLICATIONS

Bathroom

BOX COMPONENTS

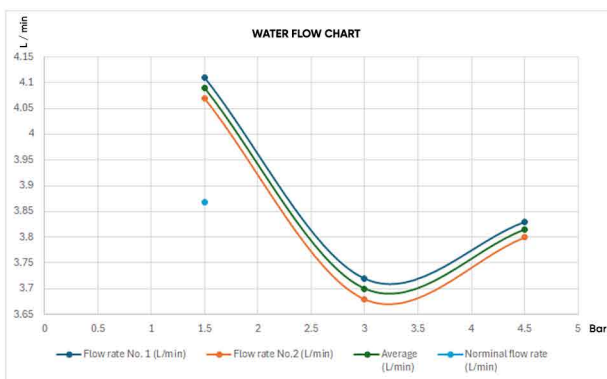
- 2 Handle for Hot and Cold water
- Spout
- Brass Concealed
- Fischer wall plug set
- Brass Frames
- (SUS 304) Screws
- Filter key
- Allen key

COUNTRY OF ORIGIN

Made in China for HATCH Sanitary

WARRANTY

7 years for concealed mixer
 2 years for mixer accessories and mechanical parts



HATCH SANITARY

Hatch Sanitary is a trademark owned by MHG

Old Al Kharj Road, Building No. 3533
 Riyadh 14511 - 8305
 Kingdom of Saudi Arabia

info.mhg@marketing-home.com

800 122 2230