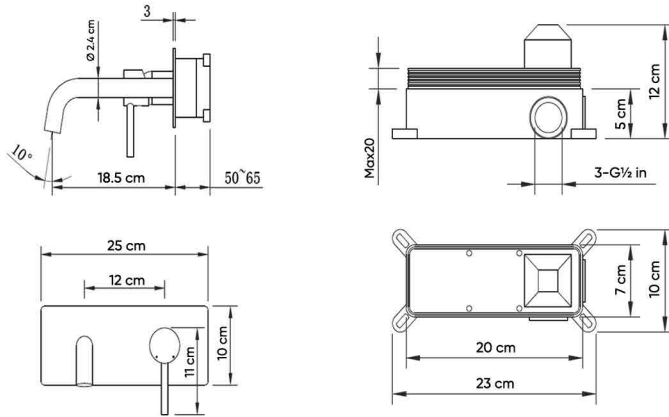


## HATCH WASHBASIN MIXERS

**Product Name: WASHBASIN WALL-MOUNTED MIXER**  
**Model Number: HAT-MX008**



### AVAILABLE COLORS



**GLOSSY CHROME**  
SW01330157



**MATTE BLACK**  
SW01330158



**BRUSHED NICKEL**  
SW01530070



**GLOSSY GOLD**  
SW01530071



**BRUSHED GOLD**  
SW01530072



**BLACK TITANIUM**  
SW01530073

### DESCRIPTIONS

**Material:** Brass main body Concealed Mixer, Brass Spout, Stainless steel (SUS 304) Plate  
**Shape:** Round  
**Packaging unit:** 1 piece

### TECHNICAL SPECIFICATION

**Installation type:** Wall-mounted  
**Average Flow rate:** 3,87 L/min  
**Water consumption:** Class A  
**Spray type:** Normal spray  
**Maximum operating pressure:** 15 bar  
**Connection type:** G 1/2 in connections  
**Spout length:** 185 mm  
**Ceramic cartridge:** 35 mm  
**Temperature limitation adjustable**  
**With aerator, easy to clean**  
**With embodied box, easy to install**

### DIMENSIONS

25 x 18.5 x 10 CM

### APPLICATIONS

Bathroom

### BOX COMPONENTS

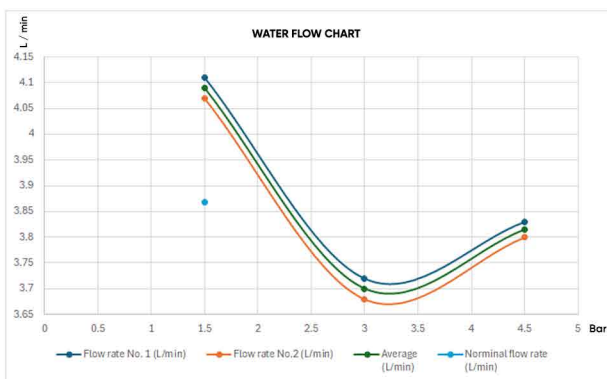
- Handle
- Spout
- Concealed Mixer with plastic (ABS) protection box
- Fischer wall plug set
- (SUS 304) Frames
- (SUS 304) Screws
- Filter key
- Allen key

### COUNTRY OF ORIGIN

Made in China for HATCH Sanitary

### WARRANTY

7 years for concealed mixer  
 2 years for mixer accessories and mechanical parts



### HATCH SANITARY

Hatch Sanitary is a trademark owned by MHG

Old Al Kharj Road, Building No. 3533  
 Riyadh 14511 - 8305  
 Kingdom of Saudi Arabia

info.mhg@marketing-home.com

800 122 2230