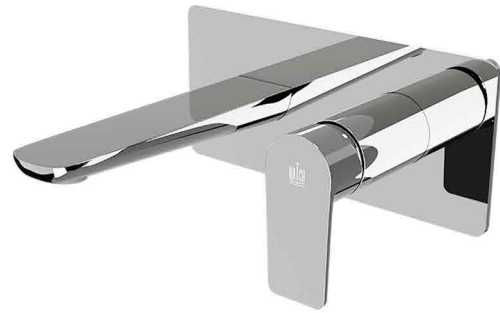
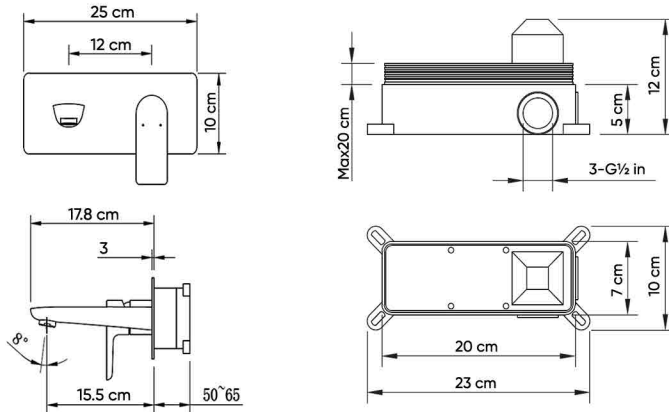


HATCH WASHBASIN MIXERS

Product Name: WASHBASIN WALL-MOUNTED MIXER
Model Number: HAT-MX007



AVAILABLE COLORS



GLOSSY CHROME
SW01330155



MATTE BLACK
SW01330156



BRUSHED NICKEL
SW01530066



GLOSSY GOLD
SW01530067



BRUSHED GOLD
SW01530068



BLACK TITANIUM
SW01530069

DESCRIPTIONS

Material: Brass main body Concealed Mixer, Brass Spout, Stainless steel (SUS 304) Plate
Shape: Square
Packaging unit: 1 piece

TECHNICAL SPECIFICATION

Installation type: Wall-mounted
Average Flow rate: 3.87 L/min
Water consumption: Class A
Spray type: Normal spray
Maximum operating pressure: 15 bar
Connection type: G 1/2 in connections
Spout length: 178 mm
Ceramic cartridge: 35 mm
Temperature limitation adjustable
With aerator, easy to clean
With embodied box, easy to install

DIMENSIONS

25 x 17.8 x 10 CM

APPLICATIONS

Bathroom

BOX COMPONENTS

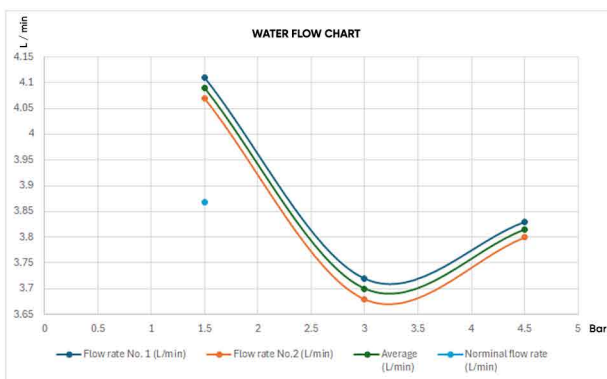
- Handle
- Spout
- Concealed Mixer with plastic (ABS) protection box
- Fischer wall plug set
- (SUS 304) Frames
- (SUS 304) Screws
- Filter key
- Allen key

COUNTRY OF ORIGIN

Made in China for HATCH Sanitary

WARRANTY

7 years for concealed mixer
 2 years for mixer accessories and mechanical parts



HATCH SANITARY

Hatch Sanitary is a trademark owned by MHG

Old Al Kharj Road, Building No. 3533
 Riyadh 14511 - 8305
 Kingdom of Saudi Arabia

© info.mhg@marketing-home.com

☎ 800 122 2230