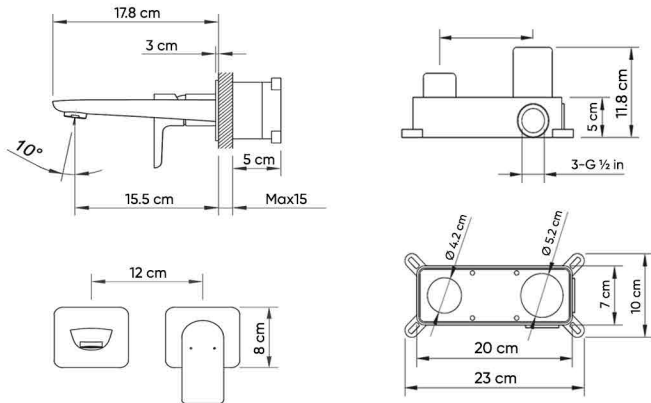


## HATCH WASHBASIN MIXERS

**Product Name: WASHBASIN WALL-MOUNTED MIXER**  
**Model Number: HAT-MX006**



### AVAILABLE COLORS



**GLOSSY CHROME**  
SW01330153



**MATTE BLACK**  
SW01330154



**BRUSHED NICKEL**  
SW01530062



**GLOSSY GOLD**  
SW01530063



**BRUSHED GOLD**  
SW01530064



**BLACK TITANIUM**  
SW01530065

### DESCRIPTIONS

Material: Brass main body Concealed Mixer, Brass Spout, Stainless steel (SUS 304) Frame  
 Shape: Square  
 Packaging unit: 1 piece

### TECHNICAL SPECIFICATION

Installation type: Wall-mounted  
 Average Flow rate: 3,87 L/min  
 Water consumption: Class A  
 Spray type: Normal spray  
 Maximum operating pressure: 15 bar  
 Connection type: G 1/2 in connections  
 Spout length: 17.8 cm  
 Ceramic cartridge  
 Temperature limitation adjustable  
 With aerator, easy to clean  
 With embodied box, easy to install

### DIMENSIONS

17.8 x 8 x 12 CM

### APPLICATIONS

Bathroom

### BOX COMPONENTS

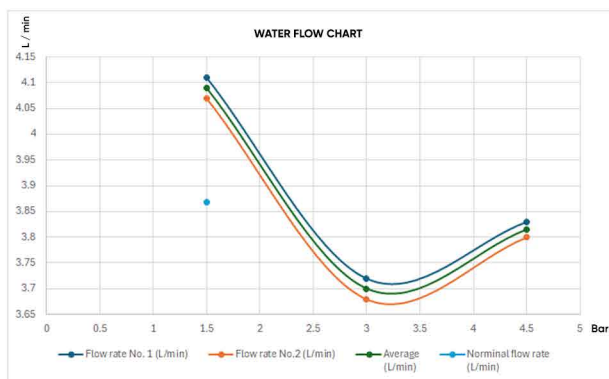
- Handle
- Spout
- Concealed Mixer with plastic (ABS) protection box
- Fischer wall plug set
- (SUS 304) Frames
- (SUS 304) Screws
- Aerator key
- Allen key

### COUNTRY OF ORIGIN

Made in China for HATCH Sanitary

### WARRANTY

7 years for concealed mixer  
 2 years for mixer accessories, mechanical parts and surface



### HATCH SANITARY

Hatch Sanitary is a trademark owned by MHG

Old Al Kharj Road, Building No. 3533  
 Riyadh 14511 - 8305  
 Kingdom of Saudi Arabia

© info.mhg@marketing-home.com

☎ 800 122 2230