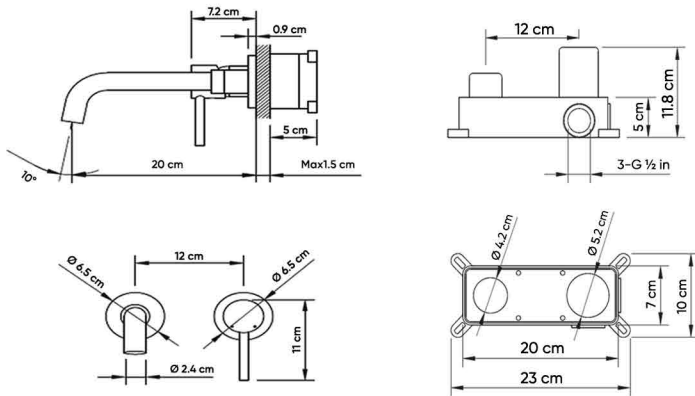


HATCH WASHBASIN MIXERS

Product Name: WASHBASIN WALL-MOUNTED MIXER
Model Number: HAT-MX005



AVAILABLE COLORS



DESCRIPTIONS

Material: Brass main body Concealed Mixer, Brass Spout, Brass Frame
 Shape: Round
 Packaging unit: 1 piece

DIMENSIONS

20 x 7.2 x 12 CM

TECHNICAL SPECIFICATION

Installation type: Wall-mounted
 Average Flow rate: 3,87 L/min
 Water consumption: Class A
 Spray type: Normal spray
 Maximum operating pressure: 15 bar
 Connection type: G 1/2 in connections
 Spout length: 200 mm
 Handle length: 110 mm
 Ceramic cartridge: 35 mm
 Temperature limitation adjustable
 With aerator, easy to clean
 With embodied box, easy to install

APPLICATIONS

Bathroom

BOX COMPONENTS

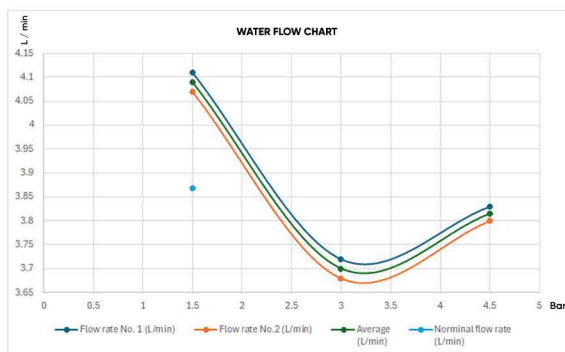
- Handle
- Spout
- Concealed Mixer with plastic (ABS) protection box
- Fischer wall plug set
- Brass Frames
- (SUS 304) Screws
- Filter key
- Allen key

COUNTRY OF ORIGIN

Made in China for HATCH Sanitary

WARRANTY

7 years for concealed mixer
 2 years for mixer accessories and mechanical parts



HATCH SANITARY

Hatch Sanitary is a trademark owned by MHG

Old Al Kharj Road, Building No. 3533
 Riyadh 14511 - 8305
 Kingdom of Saudi Arabia

info.mhg@marketing-home.com

800 122 2230