

## HATCH SHATTAF MIXERS

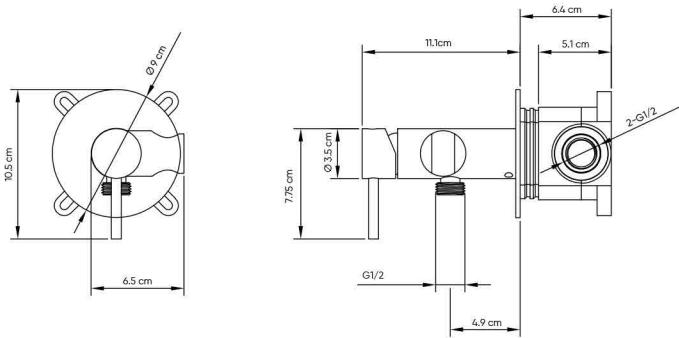
**Product Name: WALL-MOUNTED SHATTAF MIXER**  
**Model Number: HAT-MX003**



CONCEALED MIXER



MIXER ACCESSORIES,  
MECHANICAL PARTS  
AND SURFACE



### AVAILABLE COLORS



**GLOSSY CHROME**  
SW01330008



**MATTE BLACK**  
SW01330402



**BRUSHED NICKEL**  
SW01330401



**GLOSSY GOLD**  
SW-01720033



**BRUSHED GOLD**  
SW-01720034



**BLACK TITANIUM**  
SW-01720035

### DESCRIPTIONS

Wall-Mounted Shattaf Mixer

**Material:** Main body, Concealed Mixer: Brass, Frame: Stainless steel (SUS 304)

Shape: Round

Packaging unit: 1 piece

### TECHNICAL SPECIFICATION

Maximum Flow rate at 3 bar: 12 L/min

Maximum operating pressure: 15 bar

Minimum operating pressure: 1 bar

Ceramic cartridge

With a plastic non-return valve: Yes

Installation type: Wall-mounted

Water inlet/outlet: G 1/2 in

With embossed box, Easy to install

Non-scratch holder for shattaf: Yes

### DIMENSIONS

Ø 9 x 10.5 x 11.1 CM

### APPLICATIONS

Bathroom

### BOX COMPONENTS

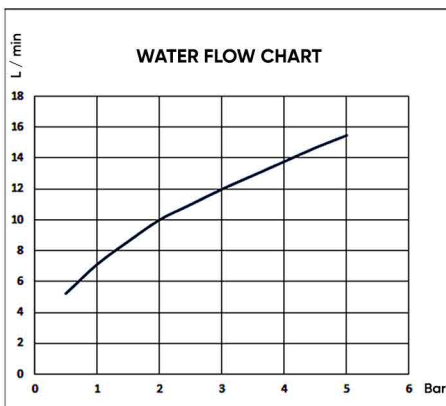
- Handle
- Concealed Mixer with Protection box
- (SUS 304) Frame
- (SUS 304) Screws
- Fischer wall plug set
- 2 pcs Brass connectors
- Mounting Rings & Rubber
- Allen key

### COUNTRY OF ORIGIN

Made in China for HATCH Sanitary

### WARRANTY

7 years for concealed mixer  
 2 years for mixer accessories, mechanical parts  
 and surface



hatch-products.com

### HATCH SANITARY

Hatch Sanitary is a trademark owned by MHG

Old Al Kharj Road, Building No. 3533  
 Riyadh 14511 - 8305  
 Kingdom of Saudi Arabia

© info.mhg@marketing-home.com

☎ 800 122 2230