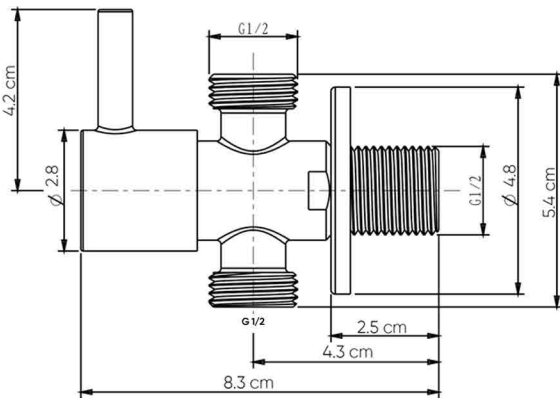


## HATCH ANGLE VALVE

**Product Name: ANGLE VALVE 2 OUTLET**

**Model Number: HAT-AVE004**



### AVAILABLE COLORS

**GLOSSY CHROME**  
SW01540141

### DESCRIPTIONS

Material: Brass Angle Valve and Stainless steel (SUS 304) Frame  
Shape: Round  
Packaging unit: 1 piece

### DIMENSIONS

8.3 x 5.4 x 4.8 CM

### TECHNICAL SPECIFICATION

Water Inlet/Outlet: G ½ in  
Two outlet: Yes  
Maximum pressure: 15 bar

### WARRANTY

10 years for function  
2 years for surface

### APPLICATIONS

Bathroom/Kitchen

### BOX COMPONENTS

- Angle Valve
- (SUS 304) Frame

### COUNTRY OF ORIGIN

Made in China for HATCH Sanitary



hatch-products.com

### HATCH SANITARY

Hatch Sanitary is a trademark owned by MHG

Old Al Kharij Road, Building No. 3533  
Riyadh 14511 - 8305  
Kingdom of Saudi Arabia

@ info.mhg@marketing-home.com

☎ 800 122 2230