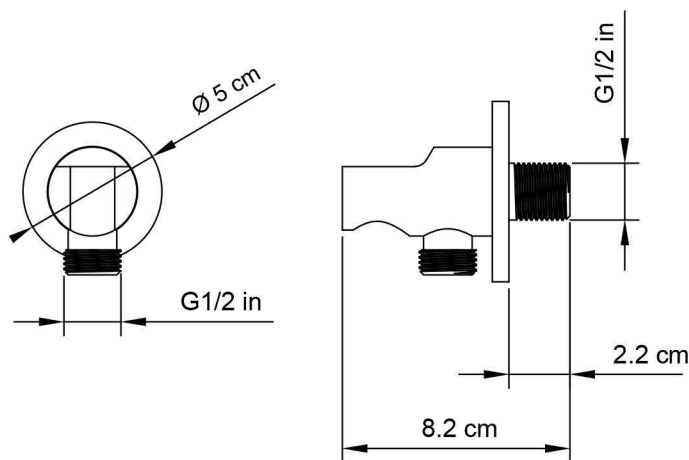


HATCH SHOWER ACCESSORIES

Product Name: SHOWER HAND BRACKET WITH WATER OUTLET

Model Number: HAT-ADT013



AVAILABLE COLORS



GLOSSY CHROME
SW-60197995



MATTE BLACK
SW-60197996



BRUSHED NICKEL
SW-60197997



GLOSSY GOLD
SW-60197998



BRUSHED GOLD
SW-60197999



BLACK TITANIUM
SW-60198000

DESCRIPTIONS

Material: Brass Shower Hand Bracket with Brass Frame
Shape: Round
Packaging unit: 1 piece

DIMENSIONS

8.2 x 5 x 5 CM

TECHNICAL SPECIFICATION

Water inlet & outlet: G 1/2 in

WARRANTY

10 years for function
2 years for surface

APPLICATIONS

Bathroom

BOX COMPONENTS

- Shower Hand Bracket
- Brass Frame

COUNTRY OF ORIGIN

Made in China for HATCH Sanitary



HATCH SANITARY

Hatch Sanitary is a trademark owned by MHG

Old Al Kharj Road, Building No. 3533
Riyadh 14511 - 8305
Kingdom of Saudi Arabia

© info.mhg@marketing-home.com

☎ 800 122 2230