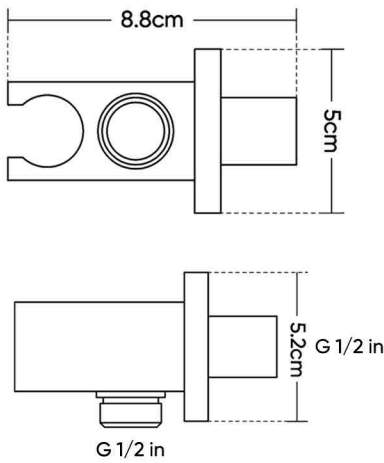


## HATCH SHOWER ACCESSORIES

**Product Name: ADJUSTABLE SHOWER HAND BRACKET WITH WATER OUTLET**

**Model Number: HAT-ADT007**



### AVAILABLE COLORS

**GLOSSY CHROME**  
SW01330110

**MATTE BLACK**  
SW01330111

**BRUSHED NICKEL**  
SW01330270

**GLOSSY GOLD**  
SW01530045

**BRUSHED GOLD**  
SW01530044

**BLACK TITANIUM**  
SW01530046

### DESCRIPTIONS

Material: Brass Shower Hand Bracket with Brass Frame  
Shape: Square  
Packaging unit: 1 piece

### DIMENSIONS

8.8 x 5.2 x 5 CM

### TECHNICAL SPECIFICATION

Water inlet & outlet: G 1/2 in

### WARRANTY

10 years

### APPLICATIONS

Bathroom

### BOX COMPONENTS

- Shower Hand Bracket
- Brass Frame

### COUNTRY OF ORIGIN

Made in China for HATCH Sanitary



### HATCH SANITARY

Hatch Sanitary is a trademark owned by MHG

Old Al Kharj Road, Building No. 3533  
Riyadh 14511 - 8305  
Kingdom of Saudi Arabia

📧 info.mhg@marketing-home.com

☎ 800 122 2230