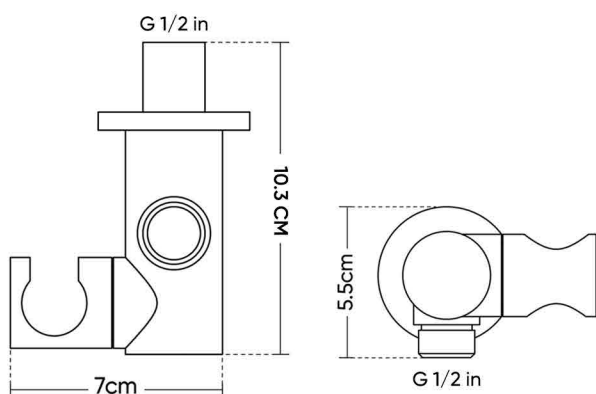


HATCH SHOWER ACCESSORIES

Product Name: ADJUSTABLE SHOWER HAND BRACKET WITH WATER OUTLET
Model Number: HAT-ADT005



AVAILABLE COLORS

GLOSSY CHROME
SW01330106

MATTE BLACK
SW01330107

BRUSHED NICKEL
SW01330267

GLOSSY GOLD
SW01530029

BRUSHED GOLD
SW01330268

BLACK TITANIUM
SW01530030

DESCRIPTIONS

Material: Adjustable Brass Shower Hand Bracket with Brass Frame
 Shape: Round
 Packaging unit: 1 piece

DIMENSIONS

10.3 x 7 x 5.5 CM

TECHNICAL SPECIFICATION

Water inlet & outlet: G 1/2 in
 Adjustable holder: Yes

WARRANTY

10 years

APPLICATIONS

Bathroom

BOX COMPONENTS

- Adjustable Shower Hand Bracket
- Brass Frame

COUNTRY OF ORIGIN

Made in China for HATCH Sanitary



HATCH SANITARY

Hatch Sanitary is a trademark owned by MHG

Old Al Kharij Road, Building No. 3533
 Riyadh 14511 - 8305
 Kingdom of Saudi Arabia

📧 info.mhg@marketing-home.com

☎ 800 122 2230