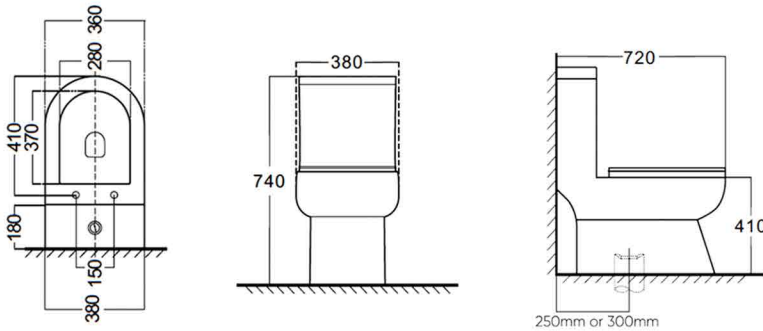


HATCH TOILET SEAT

Product Name: CALLA ONE PIECE FLOOR-STANDING TOILET
Model Number: HAT-2336



AVAILABLE COLOR:



WHITE

DRAINAGE SIZE:

- 25 CM: **SW-60196776**
- 30 CM: **SW-60196771**

DESCRIPTION

One Piece Floor-Standing Toilet with Seat Cover
 Collection: Calla
 Shape: Oval

DIMENSION

740 x 380 x 720 MM

TECHNICAL SPECIFICATION

Material: Main Body - Vitreous China Glazed Finish
 Seat Cover: UF (Soft Close)
 Accesories Material: Plastic and Stainless Steel (SUS 304)
 Hose: Nylon with PEX Inner Tube
 Installation Type: Floor-Standing S-Trap
 Siphon Machine Brand: WDI Dual Flush
 Flushing Type: Siphonic System Dual Water Jet Technology
 Water Consumption rate: 3.43 Liters
 Half flow: 3.5 Liters
 Full flow: 4.8 Liters
 Hose Inlet size: 1/2 inch
 Hose size: 60 cm
 Adjustable Fill Valve: (Yes) from 3 to 7 inches

APPLICATIONS

Bathroom

BOX COMPONENTS

- One Piece Floor-Standing Toilet Seat
- Toilet Seat Cover with Screws
- Mounting Brackets
- Connection Hose
- Silicon Tube
- Wax Ring
- WDI Dual Flush
- Hose (60 cm)
- Fill Valve
- Installation Manual

WARRANTY

- 6 Years For Main Body
- 5 Years For Seat Cover
- 5 Years For Siphon Machine
- 15 Years For Hoses

COUNTRY OF ORIGIN

Made in China for HATCH Sanitary



hatch-products.com

HATCH SANITARY

Hatch Sanitary is a trademark owned by MHG

Old Al Kharj Road, Building No. 3533
 Riyadh 14511 - 8305
 Kingdom of Saudi Arabia

info.mhg@marketing-home.com

800 122 2230